

TDFT250性能参数表

转速 (r/min)	序号 No.	流量 (m ³ /h)	全压 (pa)	静压 (pa)	轴功率 (W)	电机功率 (kW)	电机型号
2000	1	1000	445	441	345	0.55	Y80 ₁ -4
	2	1500	415	405	399		
	3	2000	359	342	448		
	4	2400	300	275	480		
	5	2800	230	196	501		
	6	3300	129	82	480		
2200	1	1100	538	534	459	0.75	Y80 ₁ -2
	2	1650	502	490	531		
	3	2200	434	414	596		
	4	2640	363	333	639		
	5	3080	278	237	667		
	6	3630	156	99	639		
2500	1	1250	695	689	674	1.1	Y80 ₂ -2
	2	1875	648	633	779		
	3	2500	561	534	875		
	4	3000	469	430	938		
	5	3500	359	306	979		
	6	4125	202	128	938		
2800	1	1400	872	864	947	1.5	Y90S-2
	2	2100	813	794	1095		
	3	2800	704	670	1229		
	4	3360	588	539	1317		
	5	3920	451	384	1375		
	6	4620	253	161	1317		
3200	1	1600	1139	1129	1413	2.2	Y90L-2
	2	2400	1062	1037	1634		
	3	3200	919	876	1835		
	4	3840	768	704	1966		
	5	4480	589	502	2052		
	6	5280	330	210	1966		
3600	1	1800	1442	1429	2012	3	Y100L-2
	2	2700	1345	1312	2327		
	3	3600	1163	1108	2613		
	4	4320	972	891	2799		
	5	5040	745	635	2922		
	6	5940	418	266	2799		

TDF280性能参数表

转速 (r/min)	序号 No.	流量 (m ³ /h)	全压 (pa)	静压 (pa)	轴功率 (W)	电机功率 (kW)	电机型号
1900	1	1520	492	486	515	0.75	Y80 ₁ -2
	2	2090	469	458	591		
	3	2660	418	399	649		
	4	3230	340	311	680		
	5	3800	244	204	678		
	6	4370	143	92	650		
2200	1	1760	659	651	800	1.1	Y80 ₂ -2
	2	2420	629	613	917		
	3	3080	560	535	1008		
	4	3740	456	417	1055		
	5	4400	327	273	1053		
	6	5060	192	123	1009		
2500	1	2000	852	841	1174	1.5	Y90S-2
	2	2750	813	792	1346		
	3	3500	723	691	1479		
	4	4250	589	539	1549		
	5	5000	422	353	1545		
	6	5750	248	159	1480		
2800	1	2240	1068	1054	1649	2.2	Y90L-2
	2	3080	1019	994	1891		
	3	3920	907	866	2077		
	4	4760	739	676	2176		
	5	5600	529	443	2171		
	6	6440	312	200	2080		
3100	1	2480	1309	1293	2238	3	Y100L-2
	2	3410	1249	1218	2566		
	3	4340	1112	1062	2819		
	4	5270	906	829	2953		
	5	6200	649	543	2946		
	6	7130	382	245	2823		
3400	1	2720	1575	1555	2953	4	Y112M-2
	2	3740	1503	1465	3385		
	3	4760	1338	1277	3719		
	4	5780	1090	997	3896		
	5	6800	780	653	3886		
	6	7820	460	295	3724		

TDFT315性能参数表

转速 (r/min)	序号 No.	流量 (m ³ /h)	全压 (pa)	静压 (pa)	轴功率 (W)	电机功率 (kW)	电机型号
2000	1	2400	658	648	651	1.1	Y80 ₂ -2
	2	3400	625	605	786		
	3	4200	560	529	867		
	4	5000	467	423	920		
	5	5800	354	295	948		
	6	6600	223	146	959		
2300	1	2760	870	857	990	1.5	Y90S-2
	2	3910	827	800	1195		
	3	4830	741	700	1319		
	4	5750	618	559	1399		
	5	6670	468	390	1442		
	6	7590	295	193	1459		
2600	1	3120	1112	1095	1430	2.2	Y90L-2
	2	4420	1056	1022	1727		
	3	5460	946	894	1905		
	4	6500	789	715	2021		
	5	7540	598	499	2083		
	6	8580	377	247	2107		
2900	1	3480	1383	1362	1985	3	Y100L-2
	2	4930	1314	1272	2396		
	3	6090	1177	1112	2643		
	4	7250	982	889	2805		
	5	8410	744	620	2890		
	6	9570	469	307	2924		
3200	1	3840	1684	1659	2666	4	Y112M-2
	2	5440	1600	1549	3219		
	3	6720	1434	1354	3551		
	4	8000	1196	1083	3768		
	5	9280	906	755	3883		
	6	10560	571	374	3928		
3500	1	4200	2015	1985	3489	5.5	Y132S ₁ -2
	2	5950	1914	1853	4212		
	3	7350	1715	1620	4647		
	4	8750	1430	1295	4931		
	5	10150	1084	903	5081		
	6	11550	683	447	5140		

TDF355性能参数表

转速 (r/min)	序号 No.	流量 (m ³ /h)	全压 (pa)	静压 (pa)	轴功率 (W)	电机功率 (kW)	电机型号
1700	1	2550	600	593	669	1.1	Y80 ₂ -2
	2	3740	584	568	824		
	3	4930	520	492	943		
	4	5950	434	393	1007		
	5	6970	325	269	1042		
	6	7990	199	126	1054		
1900	1	2850	750	741	934	1.5	Y90S-2
	2	4180	729	709	1150		
	3	5510	650	615	1316		
	4	6650	542	491	1405		
	5	7790	406	337	1454		
	6	8930	248	157	1472		
2200	1	3300	1006	993	1449	2.2	Y90L-2
	2	4840	978	951	1785		
	3	6380	871	824	2043		
	4	7700	726	658	2182		
	5	9020	545	451	2257		
	6	10340	333	211	2285		
2400	1	3600	1197	1182	1882	3	Y100L-2
	2	5280	1164	1132	2317		
	3	6960	1037	981	2652		
	4	8400	864	783	2832		
	5	9840	648	537	2931		
	6	11280	396	251	2967		
2600	1	3900	1404	1387	2393	4	Y112M-2
	2	5720	1366	1328	2946		
	3	7540	1217	1151	3372		
	4	9100	1014	919	3601		
	5	10660	761	630	3726		
	6	12220	465	294	3772		
2900	1	4350	1747	1726	3320	5.5	Y132S ₁ -2
	2	6380	1699	1653	4088		
	3	8410	1514	1432	4680		
	4	10150	1262	1144	4997		
	5	11890	946	784	5170		
	6	13630	578	366	5234		

TDFT400性能参数表

转速 (r/min)	序号 No.	流量 (m ³ /h)	全压 (pa)	静压 (pa)	轴功率 (W)	电机功率 (kW)	电机型号
1500	1	3300	594	586	845	1.5	Y90S-2
	2	4800	575	559	1037		
	3	6150	518	492	1171		
	4	7500	429	389	1256		
	5	8850	317	261	1301		
	6	10050	200	128	1316		
1700	1	3740	763	753	1231	2.2	Y90L-2
	2	5440	739	718	1510		
	3	6970	665	631	1704		
	4	8500	551	500	1829		
	5	10030	407	335	1893		
	6	11390	256	165	1915		
1900	1	4180	953	940	1718	3	Y100L-2
	2	6080	923	897	2107		
	3	7790	831	789	2379		
	4	9500	689	625	2553		
	5	11210	508	419	2643		
	6	12730	320	206	2674		
2100	1	4620	1164	1149	2320	4	Y112M-2
	2	6720	1128	1096	2845		
	3	8610	1015	964	3212		
	4	10500	841	763	3447		
	5	12390	621	512	3569		
	6	14070	391	251	3611		
2400	1	5280	1521	1500	3463	5.5	Y132S ₁ -2
	2	7680	1473	1431	4247		
	3	9840	1326	1259	4795		
	4	12000	1099	996	5146		
	5	14160	811	668	5327		
	6	16080	511	328	5390		
2600	1	5720	1785	1761	4403	7.5	Y132S ₂ -2
	2	8320	1729	1680	5400		
	3	10660	1556	1477	6097		
	4	13000	1289	1169	6543		
	5	15340	951	784	6773		
	6	17420	600	385	6852		

TDFT500性能参数表

转速 (r/min)	序号 No.	流量 (m ³ /h)	全压 (pa)	静压 (pa)	轴功率 (W)	电机功率 (kW)	电机型号
1250	1	5000	663	656	1540	3	Y100L ₂ -4
	2	7500	659	643	2023		
	3	10000	613	585	2402		
	4	12500	506	463	2564		
	5	15000	361	298	2595		
	6	16875	247	167	2671		
1400	1	5600	832	823	2163	4	Y112M-4
	2	8400	827	807	2842		
	3	11200	768	733	3374		
	4	14000	635	580	3602		
	5	16800	453	374	3646		
	6	18900	309	209	3753		
1700	1	6800	1227	1214	3874	7.5	Y132M-4
	2	10200	1219	1189	5088		
	3	13600	1133	1082	6041		
	4	17000	936	855	6449		
	5	20400	668	551	6527		
	6	22950	456	308	6720		
2000	1	8000	1698	1680	6308	11	Y160M ₁ -2
	2	12000	1687	1646	8284		
	3	16000	1568	1497	9837		
	4	20000	1296	1184	10501		
	5	24000	924	763	10629		
	6	27000	631	427	10942		
2200	1	8800	2054	2033	8395	15	Y160M ₂ -2
	2	13200	2041	1992	11027		
	3	17600	1897	1811	13093		
	4	22000	1568	1433	13976		
	5	26400	1119	923	14147		
	6	29700	764	516	14563		
2500	1	10000	2653	2625	12319	22	Y180M-2
	2	15000	2636	2572	16181		
	3	20000	2450	2339	19213		
	4	25000	2025	1850	20509		
	5	30000	1444	1192	20759		
	6	33750	986	667	21370		

TDFT450性能参数表

转速 (r/min)	序号 No.	流量 (m ³ /h)	全压 (pa)	静压 (pa)	轴功率 (W)	电机功率 (kW)	电机型号
1400	1	4200	654	646	1210	2.2	Y100L ₁ -4
	2	6300	636	618	1509		
	3	8400	561	529	1735		
	4	10500	439	390	1866		
	5	11900	338	275	1909		
	6	13300	225	147	1925		
1600	1	4800	854	844	1807	3	Y100L ₂ -4
	2	7200	831	808	2252		
	3	9600	732	691	2590		
	4	12000	573	509	2785		
	5	13600	442	360	2849		
	6	15200	294	191	2874		
1800	1	5400	1081	1068	2573	4	Y112M-4
	2	8100	1051	1022	3206		
	3	10800	927	875	3688		
	4	13500	725	644	3965		
	5	15300	559	455	4057		
	6	17100	372	242	4092		
2000	1	6000	1335	1319	3529	5.5	Y132S ₁ -2
	2	9000	1298	1262	4398		
	3	12000	1144	1080	5059		
	4	15000	895	795	5439		
	5	17000	690	562	5565		
	6	19000	459	299	5613		
2200	1	6600	1615	1596	4697	7.5	Y132S ₂ -2
	2	9900	1571	1527	5854		
	3	13200	1384	1307	6734		
	4	16500	1083	962	7239		
	5	18700	835	680	7407		
	6	20900	555	362	7471		
2500	1	7500	2086	2061	6893	11	Y160M ₁ -2
	2	11250	2028	1972	8590		
	3	15000	1788	1688	9881		
	4	18750	1398	1242	10623		
	5	21250	1078	878	10869		
	6	23750	717	467	10963		

TDFT560性能参数表

转速 (r/min)	序号 No.	流量 (m ³ /h)	全压 (pa)	静压 (pa)	轴功率 (W)	电机功率 (kW)	电机型号
1200	1	7200	768	758	2494	4	Y112M-4
	2	10800	756	735	3284		
	3	13800	700	665	3764		
	4	16800	588	537	3972		
	5	19800	440	369	4008		
	6	22800	283	188	4115		
1400	1	8400	1045	1032	3960	7.5	Y132M-4
	2	12600	1030	1001	5215		
	3	16100	952	905	5977		
	4	19600	801	731	6307		
	5	23100	598	502	6364		
	6	26600	385	256	6535		
1600	1	9600	1365	1348	5912	11	Y160M-4
	2	14400	1345	1307	7784		
	3	18400	1244	1182	8923		
	4	22400	1046	955	9414		
	5	26400	782	655	9500		
	6	30400	503	335	9755		
1800	1	10800	1728	1706	8417	15	Y160L-4
	2	16200	1702	1655	11083		
	3	20700	1574	1496	12704		
	4	25200	1323	1208	13404		
	5	29700	989	829	13527		
	6	34200	636	423	13890		
2100	1	12600	2352	2323	13366	22	Y180M-2
	2	18900	2317	2252	17600		
	3	24150	2142	2036	20174		
	4	29400	1801	1644	21285		
	5	34650	1347	1129	21480		
	6	39900	866	576	22056		
2300	1	13800	2821	2786	17560	30	Y200L ₁ -2
	2	20700	2779	2701	23123		
	3	26450	2570	2443	26504		
	4	32200	2161	1973	27964		
	5	37950	1615	1354	28220		
	6	43700	1039	691	28977		

TDFT630性能参数表

转速 (r/min)	序号 No.	流量 (m ³ /h)	全压 (pa)	静压 (pa)	轴功率 (W)	电机功率 (kW)	电机型号
1100	1	7700	814	807	3086	5.5	Y132S-4
	2	12100	815	798	4120		
	3	16500	774	743	5031		
	4	20900	661	611	5501		
	5	25300	490	417	5599		
	6	29700	302	201	5777		
1300	1	9100	1137	1127	5094	11	Y160M-4
	2	14300	1138	1114	6800		
	3	19500	1081	1037	8305		
	4	24700	924	853	9081		
	5	29900	685	582	9242		
	6	35100	422	280	9535		
1500	1	10500	1514	1501	7826	15	Y160L-4
	2	16500	1515	1483	10446		
	3	22500	1439	1381	12758		
	4	28500	1230	1136	13950		
	5	34500	912	775	14197		
	6	40500	562	373	14648		
1700	1	11900	1945	1928	11392	22	Y180L-4
	2	18700	1946	1905	15206		
	3	25500	1848	1774	18572		
	4	32300	1580	1459	20307		
	5	39100	1171	995	20667		
	6	45900	722	479	21323		
1900	1	13300	2429	2408	15905	30	Y200L ₁ -2
	2	20900	2431	2379	21229		
	3	28500	2309	2216	25928		
	4	36100	1973	1823	28351		
	5	43700	1463	1243	28853		
	6	51300	902	598	29769		
2000	1	14000	2692	2668	18551	37	Y200L ₂ -2
	2	22000	2693	2636	24761		
	3	30000	2558	2455	30241		
	4	38000	2187	2020	33067		
	5	46000	1621	1378	33652		
	6	54000	999	663	34721		

TDFT710性能参数表

转速 (r/min)	序号 No.	流量 (m ³ /h)	全压 (pa)	静压 (pa)	轴功率 (W)	电机功率 (kW)	电机型号
900	1	8100	701	697	2329	5.5	Y132S-4
	2	13500	691	678	3348		
	3	18000	674	650	4208		
	4	23400	601	561	4920		
	5	28800	450	390	5121		
	6	34650	252	165	5395		
1100	1	9900	1048	1041	4253	11	Y160M-4
	2	16500	1032	1013	6113		
	3	22000	1007	972	7683		
	4	28600	898	839	8983		
	5	35200	672	582	9350		
	6	42350	376	247	9851		
1300	1	11700	1464	1453	7019	18.5	Y180M-4
	2	19500	1442	1415	10091		
	3	26000	1406	1357	12681		
	4	33800	1254	1171	14828		
	5	41600	938	813	15434		
	6	50050	526	345	16260		
1400	1	12600	1697	1686	8767	22	Y180L-4
	2	21000	1672	1641	12603		
	3	28000	1631	1574	15838		
	4	36400	1454	1358	18519		
	5	44800	1088	943	19277		
	6	53900	610	400	20308		
1600	1	14400	2217	2202	13087	30	Y200L-4
	2	24000	2184	2143	18813		
	3	32000	2130	2056	23642		
	4	41600	1900	1774	27644		
	5	51200	1421	1231	28774		
	6	61600	796	522	30314		
1800	1	16200	2806	2786	18633	45	Y225M-4
	2	27000	2764	2712	26786		
	3	36000	2696	2602	33662		
	4	46800	2404	2245	39360		
	5	57600	1798	1558	40970		
	6	69300	1008	661	43163		

TDFT800性能参数表

转速 (r/min)	序号 No.	流量 (m ³ /h)	全压 (pa)	静压 (pa)	轴功率 (W)	电机功率 (kW)	电机型号
800	1	10400	704	699	2991	7.5	Y160M-6
	2	16000	695	684	4042		
	3	24000	669	643	5556		
	4	32000	561	514	6420		
	5	38400	404	336	6561		
	6	44000	252	165	6884		
900	1	11700	891	885	4259	11	Y160L-6
	2	18000	880	865	5755		
	3	27000	847	814	7910		
	4	36000	710	650	9142		
	5	43200	511	425	9342		
	6	49500	319	209	9801		
1100	1	14300	1331	1321	7776	18.5	Y180M-4
	2	22000	1314	1292	10507		
	3	33000	1266	1216	14443		
	4	44000	1061	972	16691		
	5	52800	764	635	17057		
	6	60500	477	312	17895		
1300	1	16900	1859	1845	12835	30	Y200L-4
	2	26000	1835	1805	17343		
	3	39000	1768	1698	23840		
	4	52000	1482	1357	27550		
	5	62400	1066	887	28155		
	6	71500	666	436	29539		
1400	1	18200	2156	2140	16030	37	Y225S-4
	2	28000	2129	2093	21661		
	3	42000	2050	1970	29775		
	4	56000	1719	1574	34410		
	5	67200	1237	1029	35164		
	6	77000	772	506	36893		
1500	1	19500	2475	2457	19717	45	Y225M-4
	2	30000	2444	2403	26642		
	3	45000	2354	2261	36622		
	4	60000	1973	1807	42323		
	5	72000	1420	1181	43251		
	6	82500	887	581	45377		

TDF900性能参数表

转速 (r/min)	序号 No.	流量 (m ³ /h)	全压 (pa)	静压 (pa)	轴功率 (W)	电机功率 (kW)	电机型号
750	1	13500	782	777	4359	11	Y160L-6
	2	22500	772	757	6252		
	3	31500	748	719	8151		
	4	40500	660	613	9386		
	5	49500	488	418	9725		
	6	58500	289	190	10221		
850	1	15300	1004	998	6345	15	Y180L-6
	2	25500	991	972	9101		
	3	35700	960	923	11866		
	4	45900	847	787	13664		
	5	56100	627	537	14157		
	6	66300	371	244	14879		
950	1	17100	1254	1246	8858	22	Y180L-4
	2	28500	1238	1215	12705		
	3	39900	1199	1153	16566		
	4	51300	1059	983	19076		
	5	62700	783	671	19764		
	6	74100	463	305	20772		
1050	1	18900	1532	1523	11961	30	Y200L-4
	2	31500	1513	1484	17155		
	3	44100	1465	1409	22368		
	4	56700	1293	1201	25756		
	5	69300	957	819	26686		
	6	81900	566	373	28047		
1150	1	20700	1838	1826	15714	37	Y225S-4
	2	34500	1814	1780	22538		
	3	48300	1758	1690	29386		
	4	62100	1551	1440	33838		
	5	75900	1148	983	35059		
	6	89700	678	447	36848		
1200	1	21600	2002	1989	17854	45	Y225M-4
	2	36000	1976	1938	25607		
	3	50400	1914	1840	33388		
	4	64800	1689	1568	38446		
	5	79200	1250	1070	39834		
	6	93600	739	487	41866		

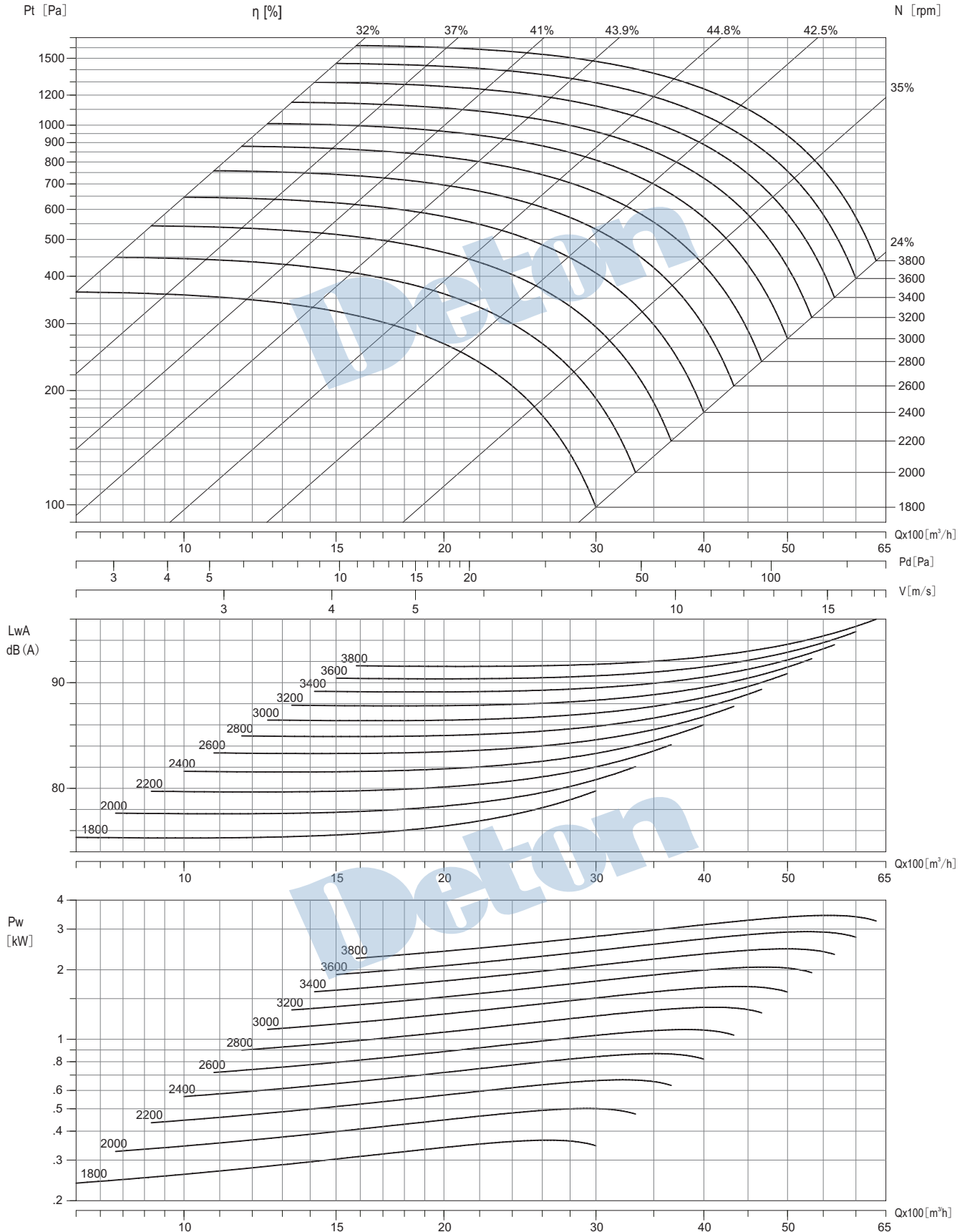
TDFT1000性能参数表

转速 (r/min)	序号 No.	流量 (m ³ /h)	全压 (pa)	静压 (pa)	轴功率 (W)	电机功率 (kW)	电机型号
650	1	16250	725	720	4843	11	Y160L-6
	2	29250	712	696	7398		
	3	39000	686	658	9244		
	4	48750	605	561	10391		
	5	58500	459	396	10725		
	6	69550	268	178	11271		
700	1	17500	841	835	6049	15	Y180L-6
	2	31500	826	808	9240		
	3	42000	796	763	11546		
	4	52500	701	650	12978		
	5	63000	533	459	13396		
	6	74900	311	207	14077		
800	1	20000	1099	1091	9030	22	Y200L ₂ -6
	2	36000	1078	1055	13793		
	3	48000	1039	996	17235		
	4	60000	916	849	19373		
	5	72000	696	600	19996		
	6	85600	406	270	21013		
900	1	22500	1391	1381	12857	30	Y225M-6
	2	40500	1365	1335	19639		
	3	54000	1315	1261	24540		
	4	67500	1159	1075	27583		
	5	81000	880	759	28471		
	6	96300	514	342	29919		
1000	1	25000	1717	1705	17636	45	Y225M-4
	2	45000	1685	1648	26939		
	3	60000	1624	1557	33662		
	4	75000	1431	1327	37837		
	5	90000	1087	937	39055		
	6	107000	634	422	41041		
1100	1	27500	2078	2063	23474	55	Y250M-4
	2	49500	2039	1994	35856		
	3	66000	1965	1884	44804		
	4	82500	1732	1606	50361		
	5	99000	1315	1134	51982		
	6	117700	767	511	54626		



TDF250

Air Density: 1.2 kg/m³



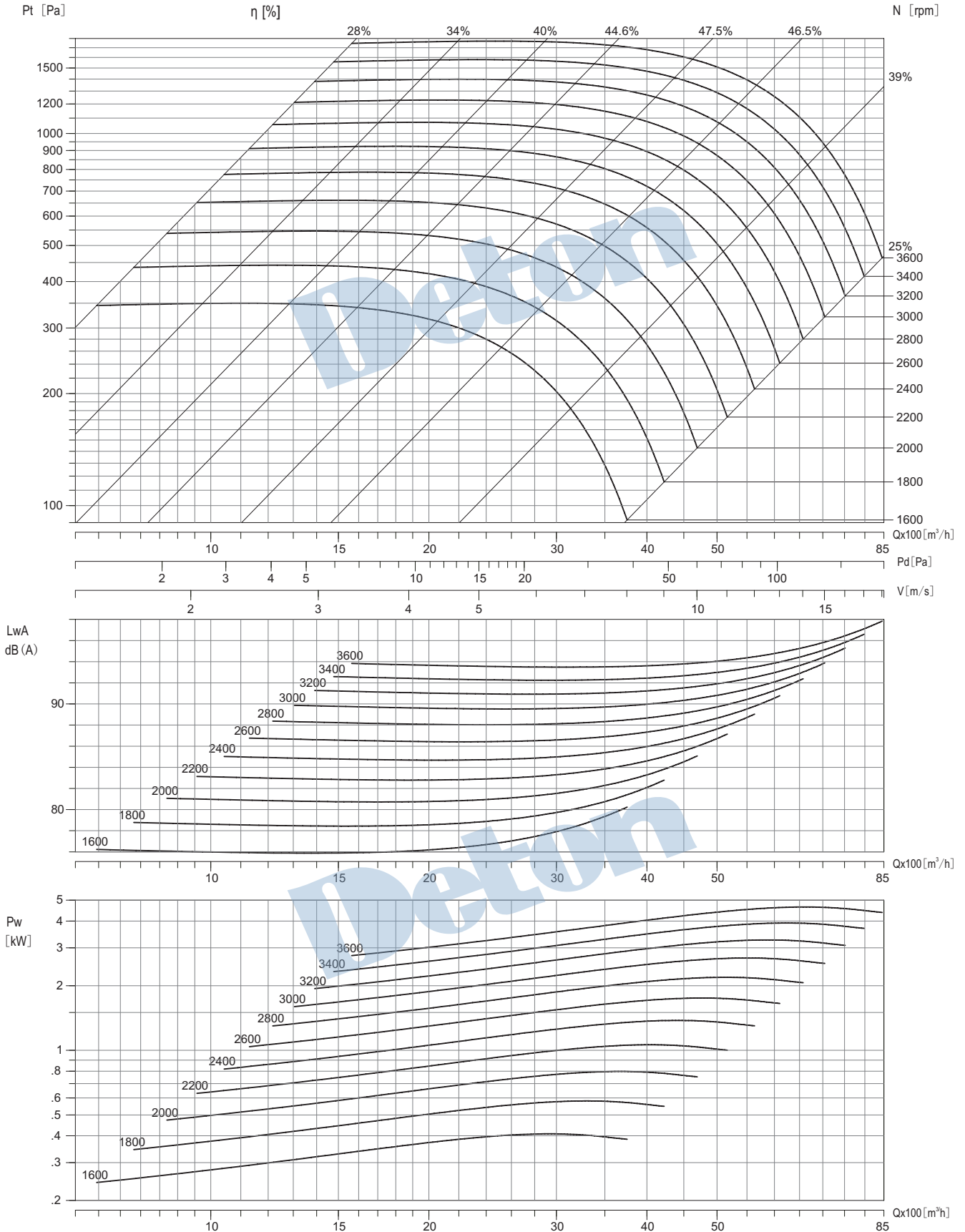
Performance certified is for installation type B-Free inlet, Ducted outlet. Performance ratings do not include the effects of appurtenances (accessories). Power rating kW does not include transmission losses. The A-weighted sound ratings shown have been calculated per AMCA International standard 301. Values shown are for inlet LwA sound power levels for Installation type B: free inlet, ducted outlet.

MODEL TDF250 IS NOT LICENSED TO BEAR THE AMCA CERTIFIED RATINGS SEAL.



TDF280

Air Density: 1.2 kg/m³

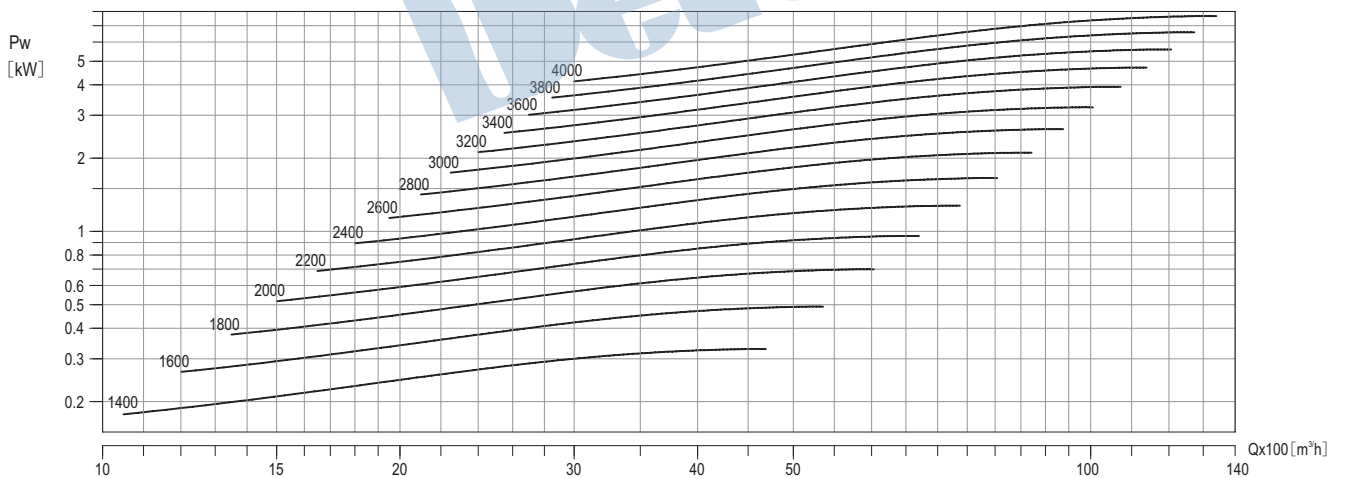
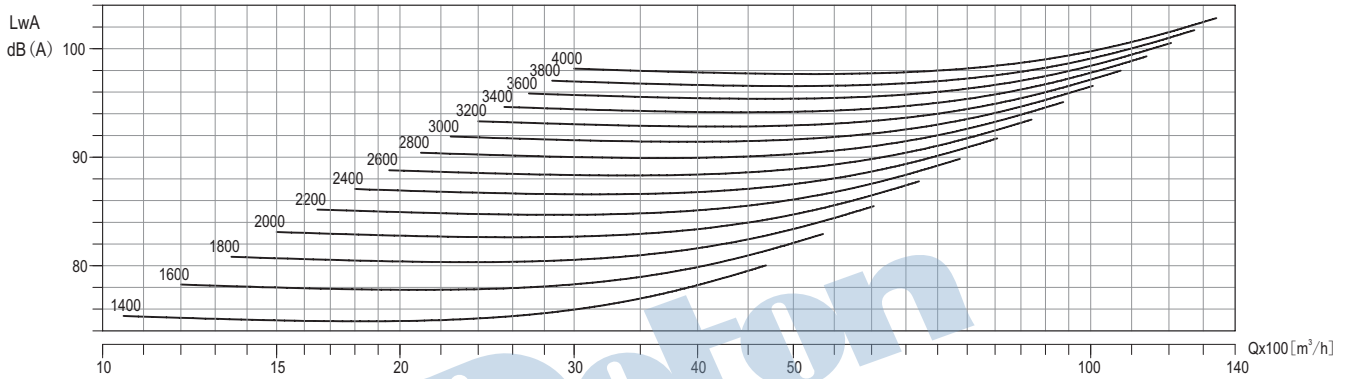
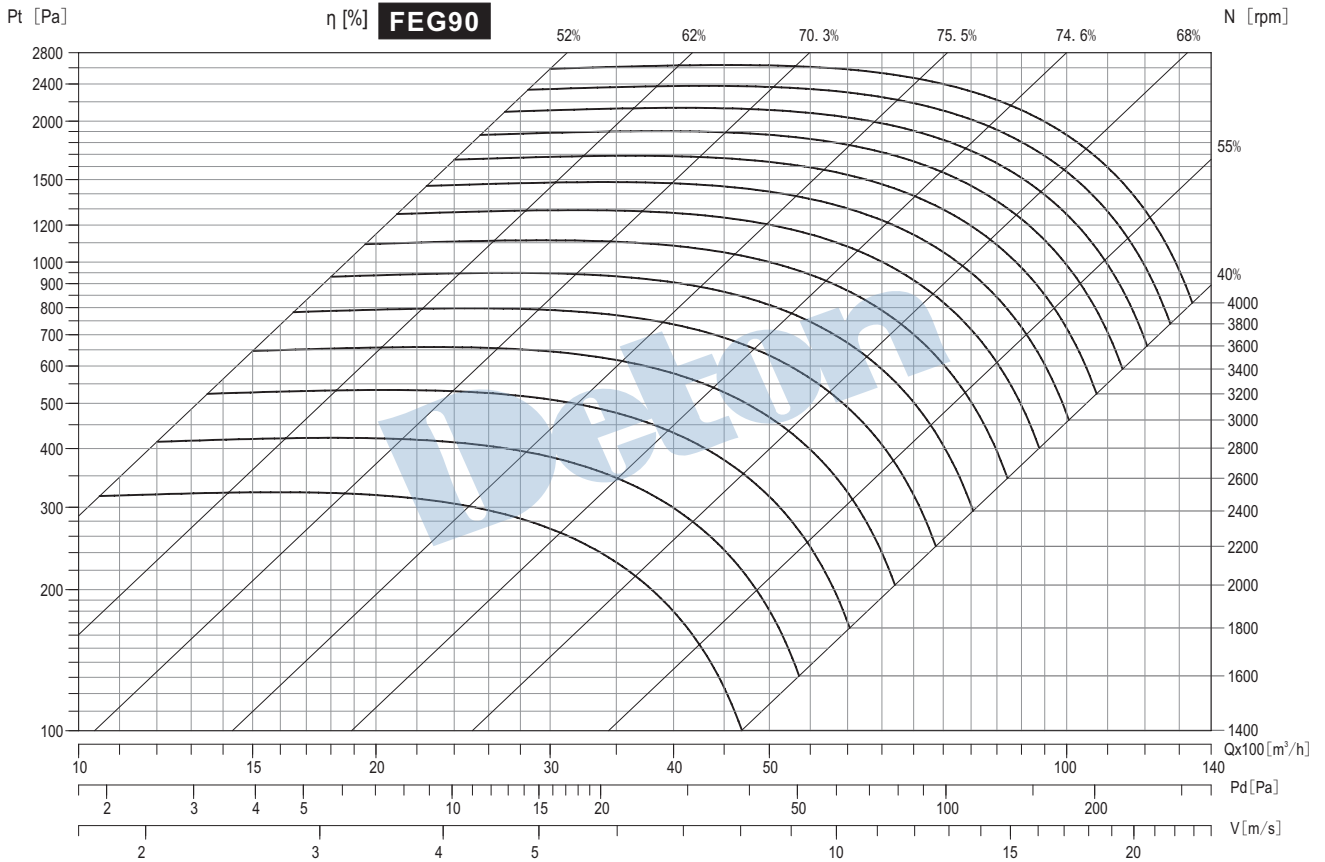


Performance certified is for installation type B-Free inlet, Ducted outlet. Performance ratings do not include the effects of appurtenances (accessories). Power rating kW does not include transmission losses. The A-weighted sound ratings shown have been calculated per AMCA International standard 301. Values shown are for inlet L_{wA} sound power levels for Installation type B: free inlet, ducted outlet.

MODEL TDF280 IS NOT LICENSED TO BEAR THE AMCA CERTIFIED RATINGS SEAL.

TDF315

Air Density: 1.2 kg/m³

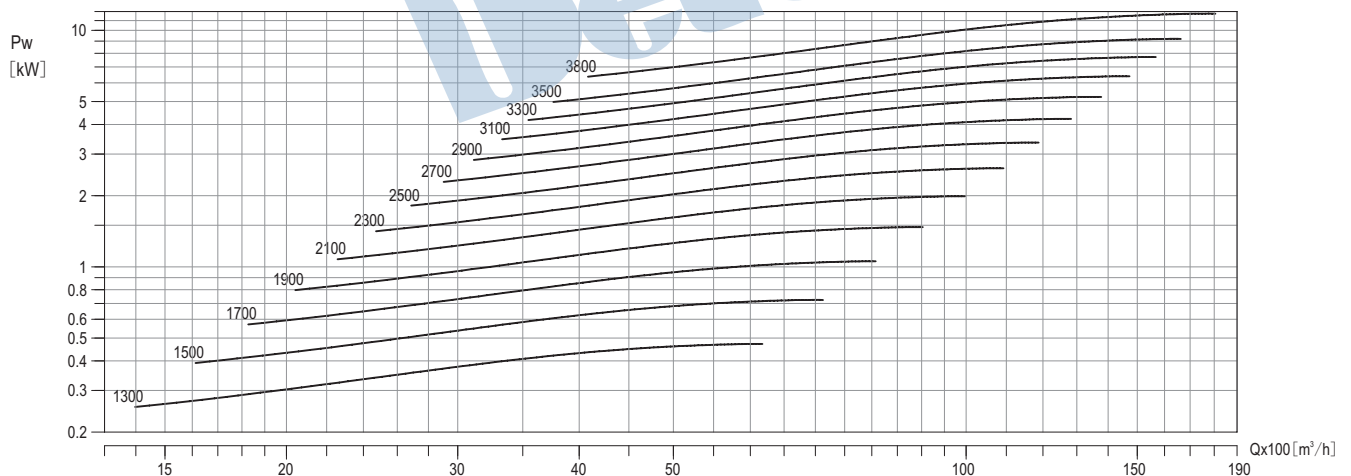
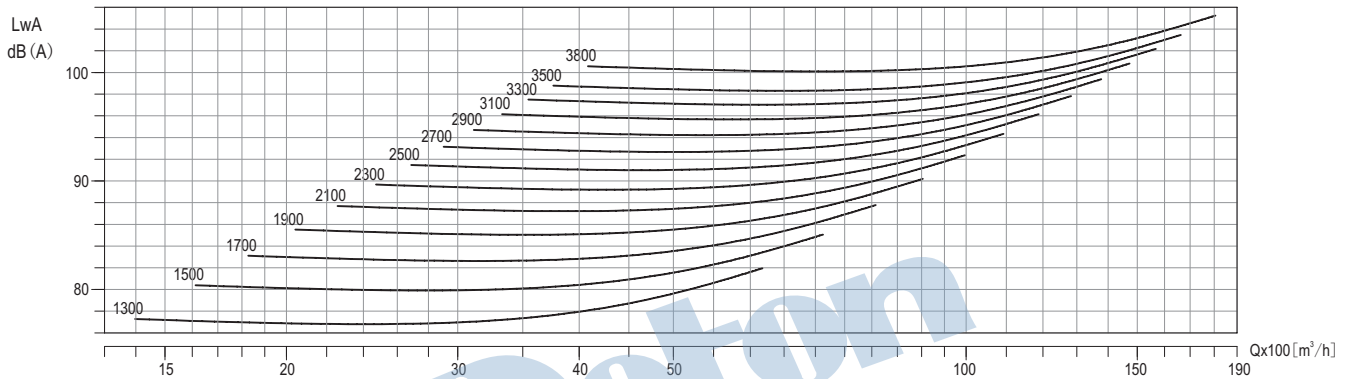
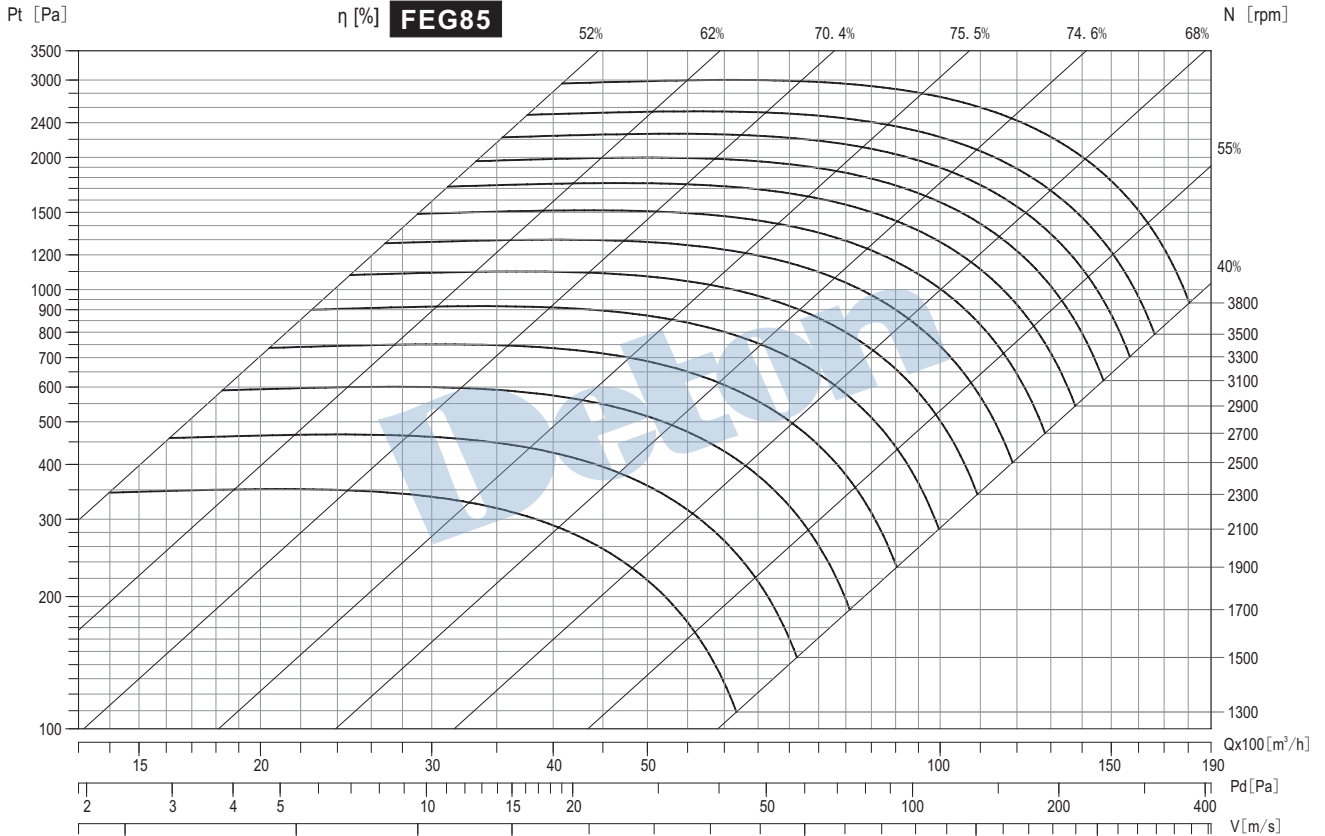


Performance certified is for installation type B-Free inlet, Ducted outlet. Performance ratings do not include the effects of appurtenances (accessories). Power rating kW does not include transmission losses. The A-weighted sound ratings shown have been calculated per AMCA International standard 301. Values shown are for inlet LwiA sound power levels for Installation type B: free inlet, ducted outlet.



TDF355

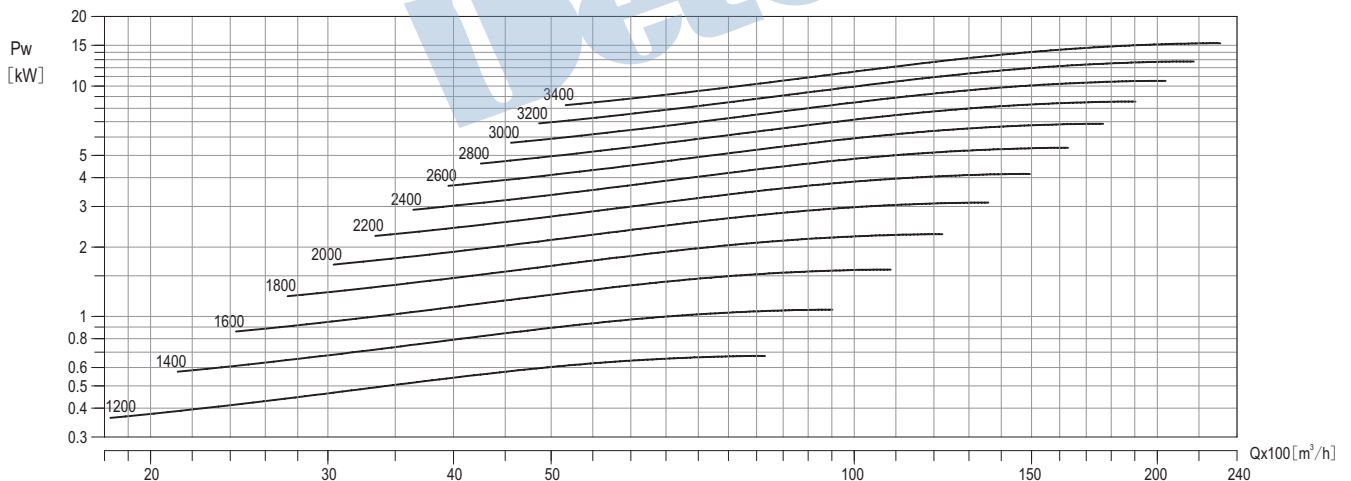
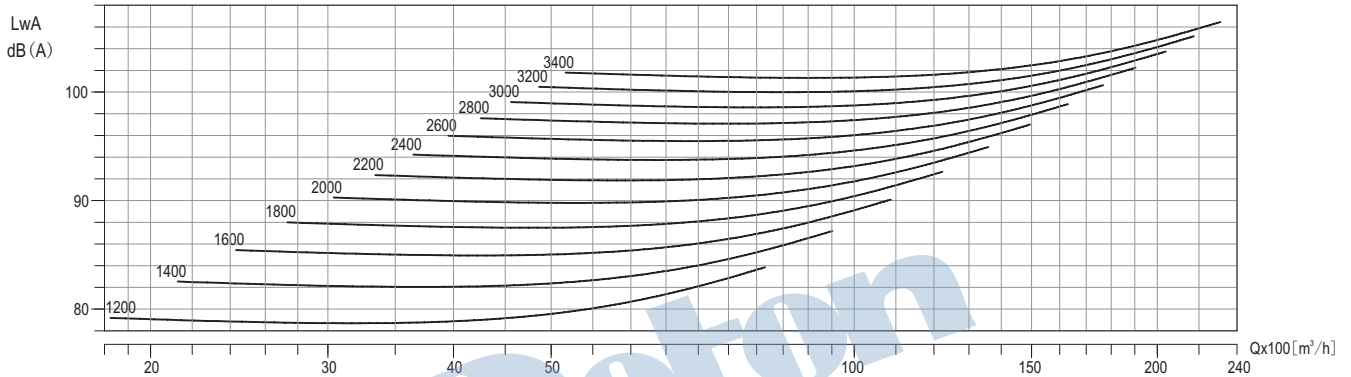
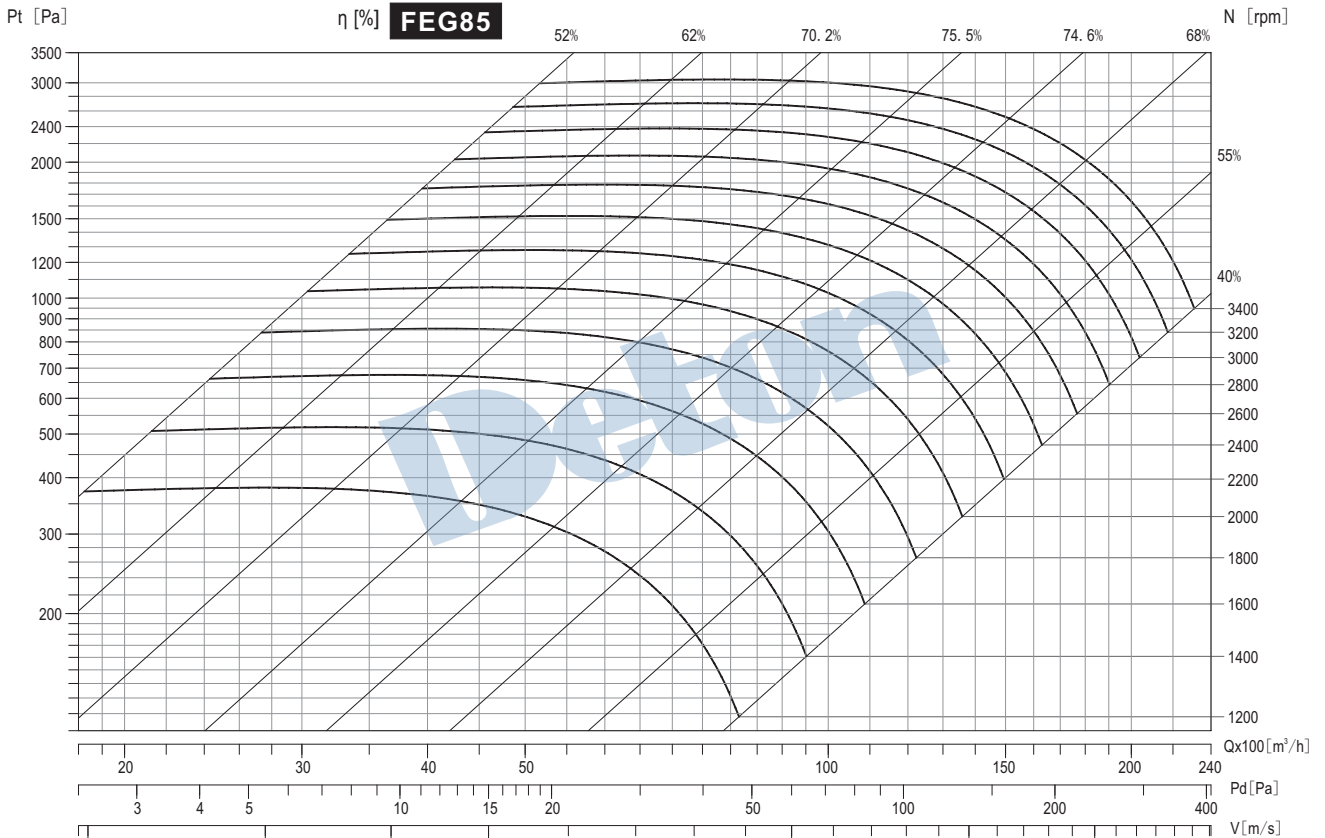
Air Density: 1.2 kg/m³



Performance certified is for installation type B-Free inlet, Ducted outlet. Performance ratings do not include the effects of appurtenances (accessories). Power rating kW does not include transmission losses. The A-weighted sound ratings shown have been calculated per AMCA International standard 301. Values shown are for inlet LwiA sound power levels for Installation type B: free inlet, ducted outlet.

TDF400

Air Density: 1.2 kg/m³

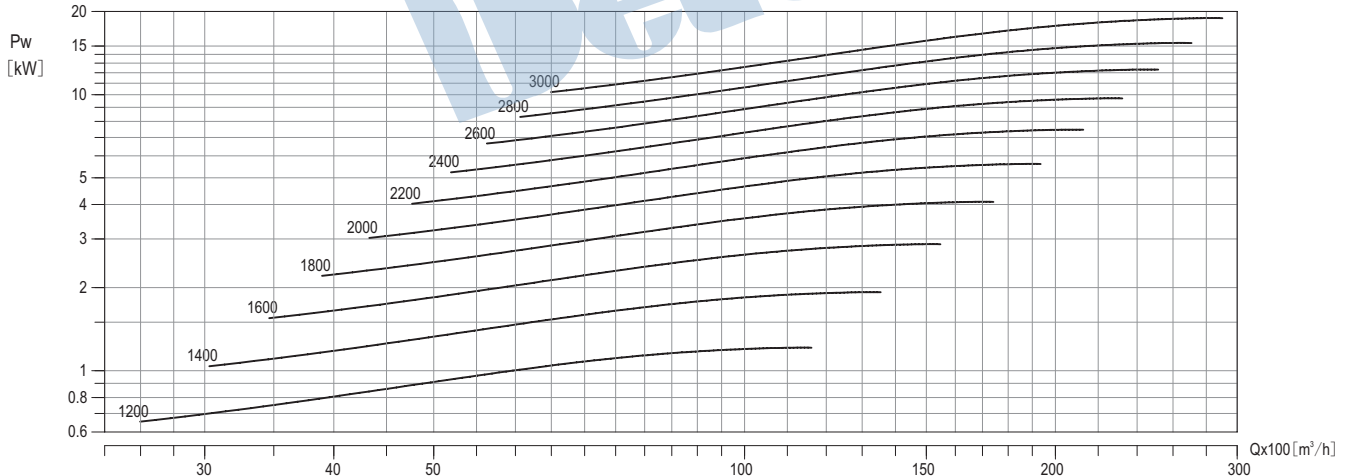
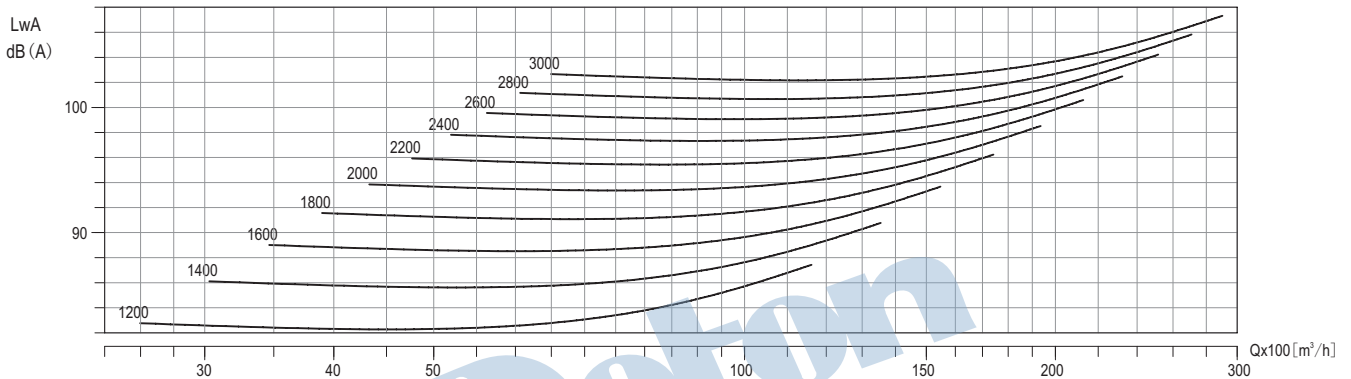
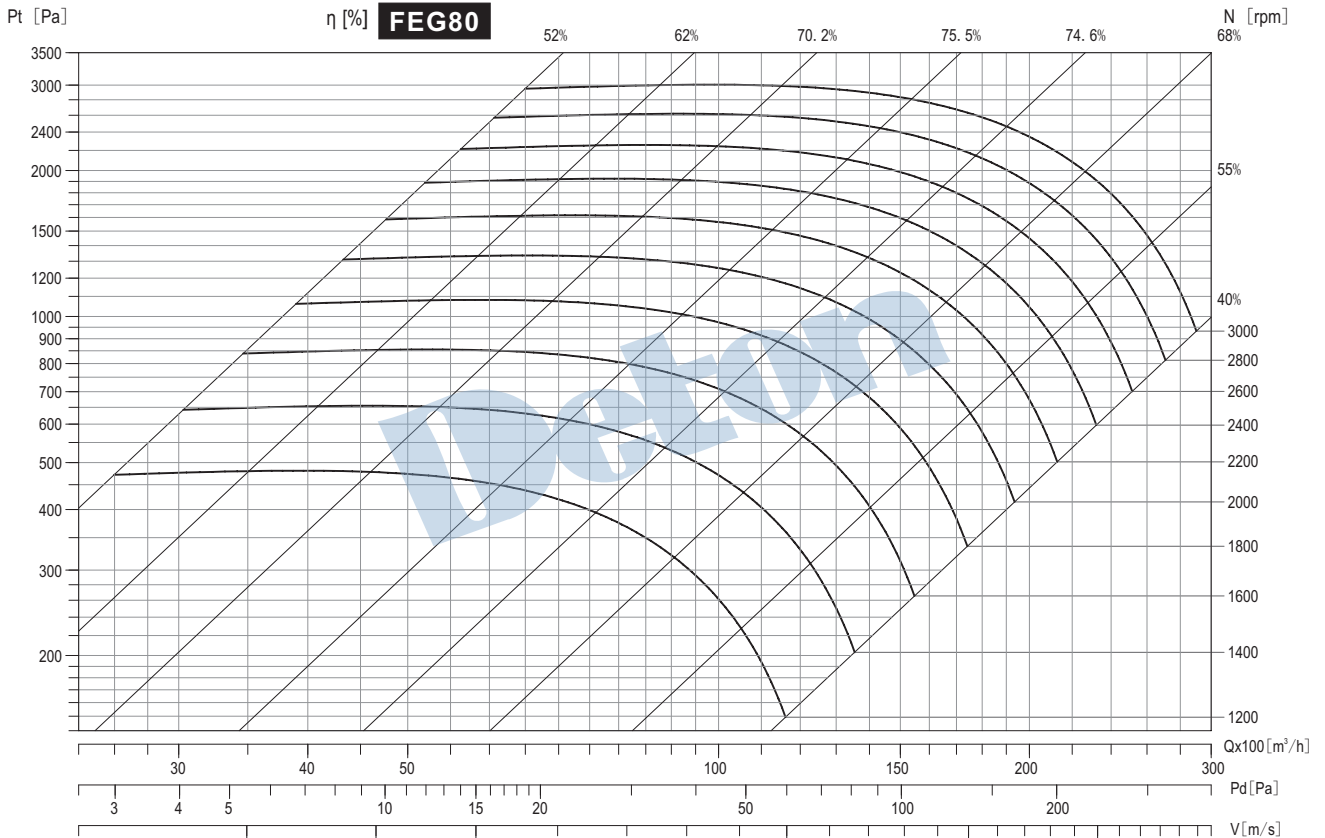


Performance certified is for installation type B-Free inlet, Ducted outlet. Performance ratings do not include the effects of appurtenances (accessories). Power rating kW does not include transmission losses. The A-weighted sound ratings shown have been calculated per AMCA International standard 301. Values shown are for inlet LwiA sound power levels for Installation type B: free inlet, ducted outlet.



TDF450

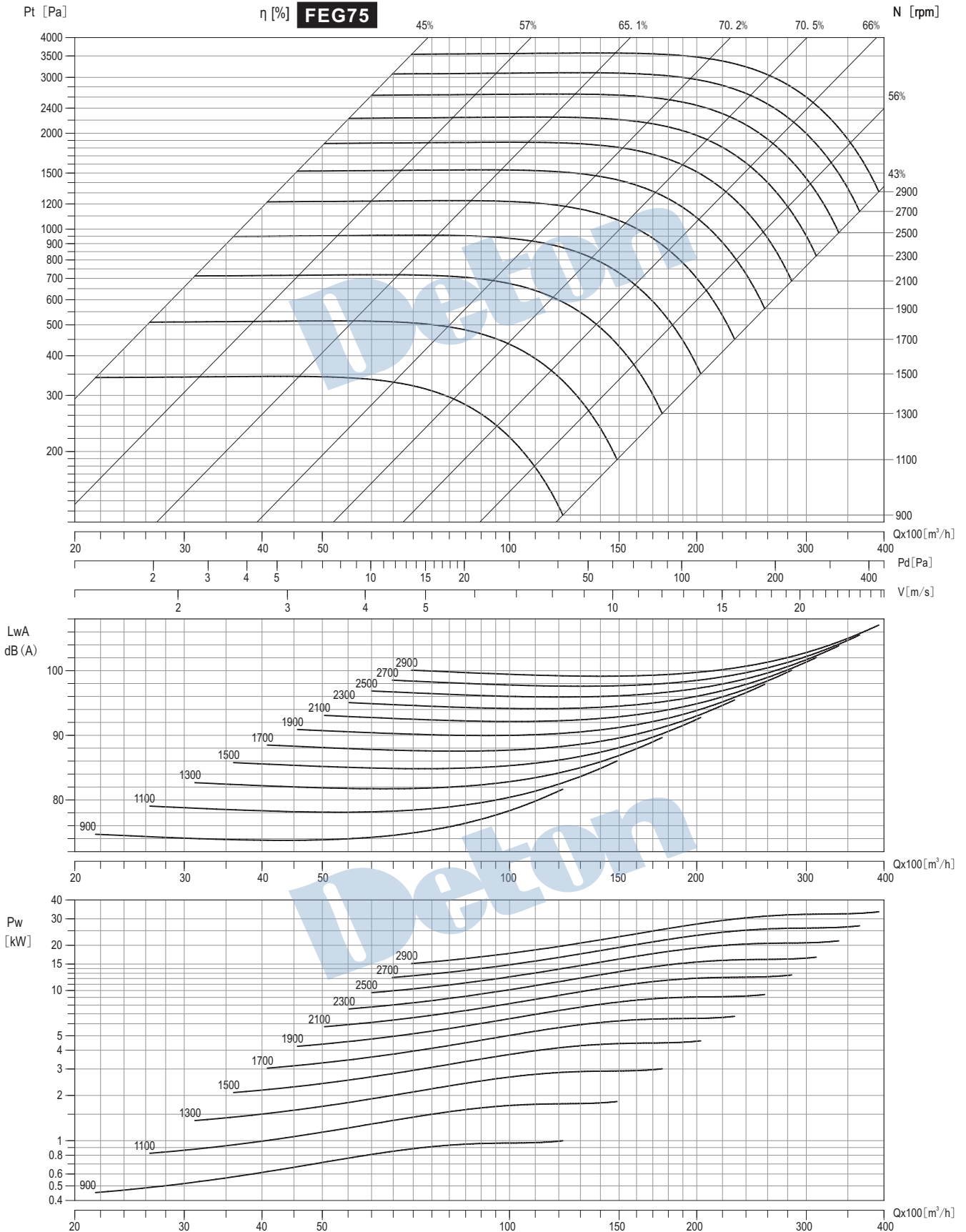
Air Density: 1.2 kg/m³



Performance certified is for installation type B-Free inlet, Ducted outlet. Performance ratings do not include the effects of appurtenances (accessories). Power rating kW does not include transmission losses. The A-weighted sound ratings shown have been calculated per AMCA International standard 301. Values shown are for inlet LwiA sound power levels for Installation type B: free inlet, ducted outlet.

TDF500

Air Density: 1.2 kg/m³

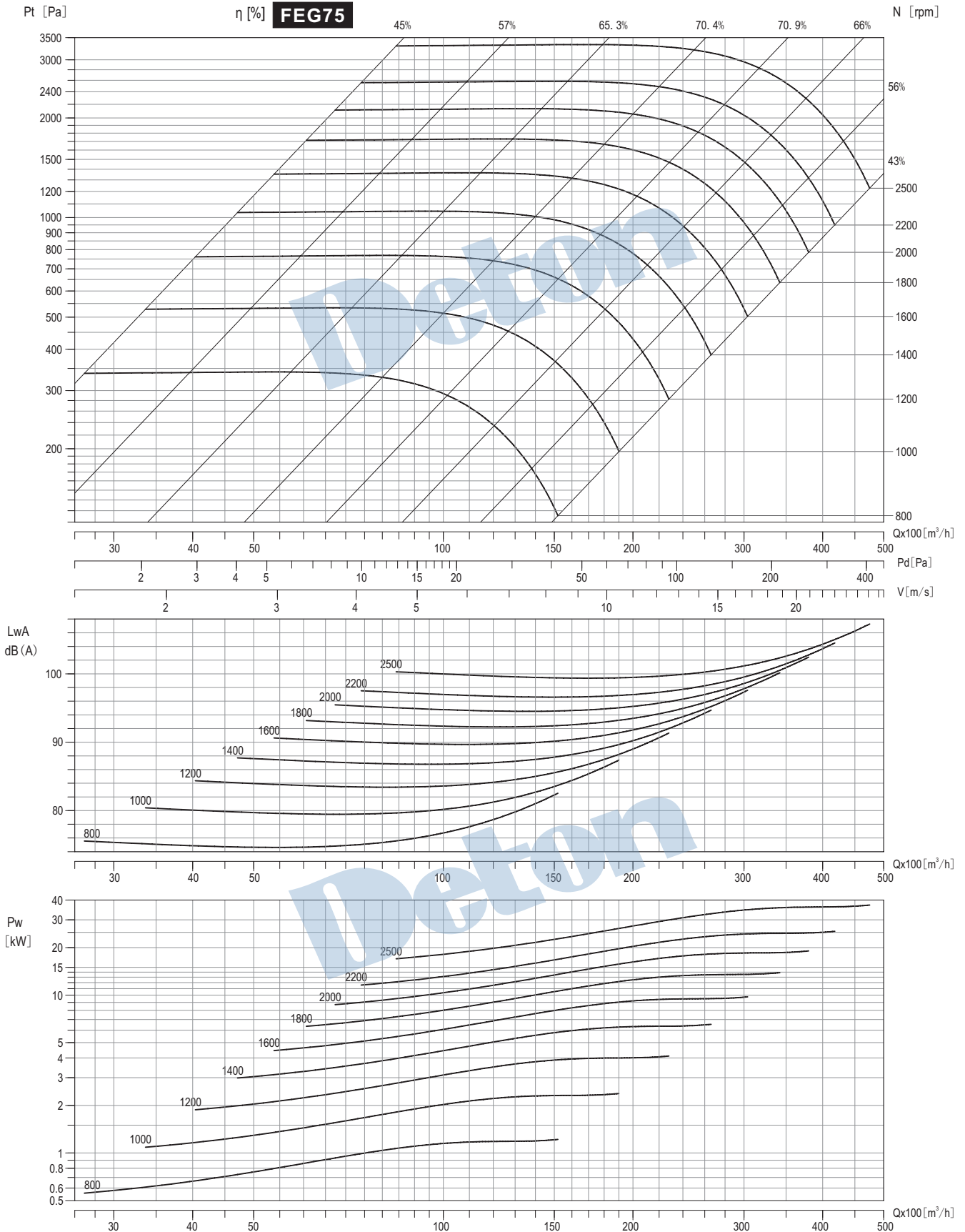


Performance certified is for installation type B-Free inlet, Ducted outlet. Performance ratings do not include the effects of appurtenances (accessories). Power rating kW does not include transmission losses. The A-weighted sound ratings shown have been calculated per AMCA International standard 301. Values shown are for inlet LwiA sound power levels for Installation type B: free inlet, ducted outlet.



TDF560

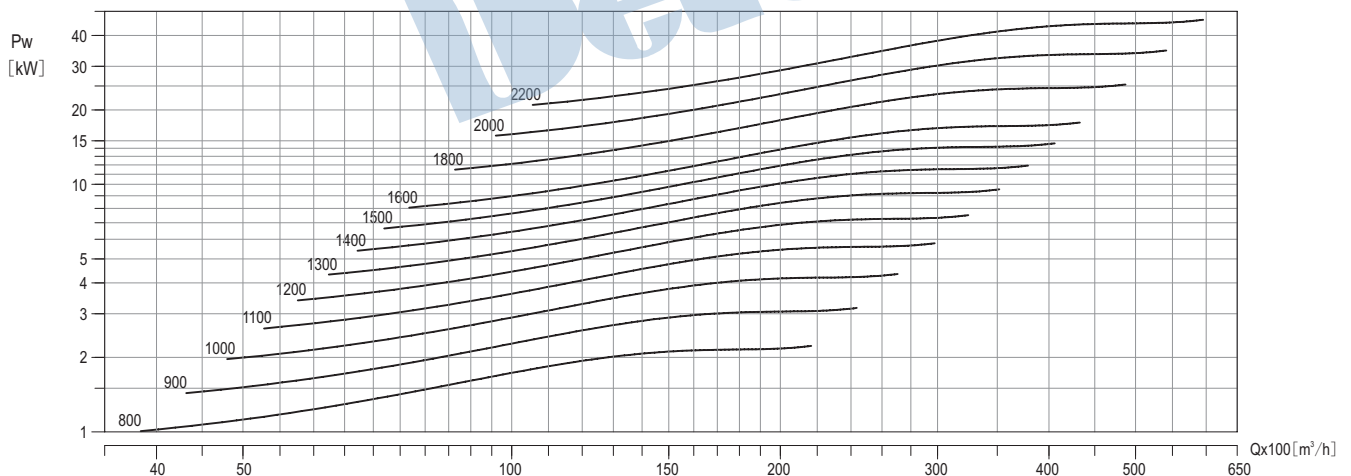
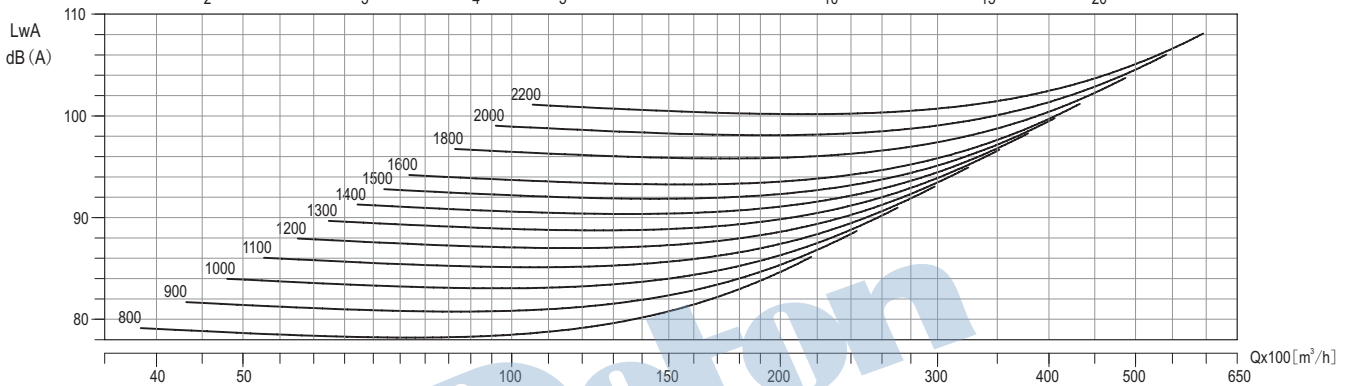
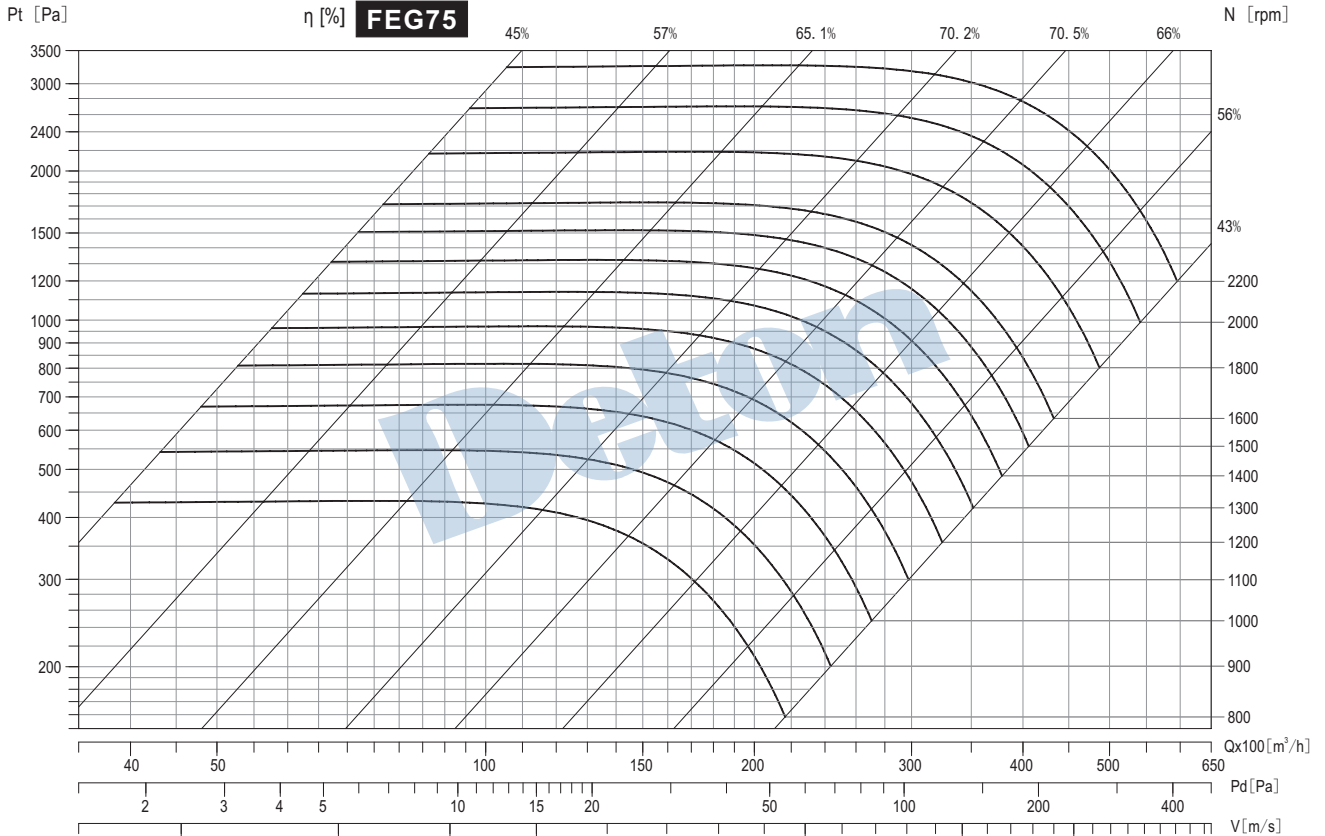
Air Density: 1.2 kg/m³



Performance certified is for installation type B-Free inlet, Ducted outlet. Performance ratings do not include the effects of appurtenances (accessories). Power rating kW does not include transmission losses. The A-weighted sound ratings shown have been calculated per AMCA International standard 301. Values shown are for inlet LwiA sound power levels for Installation type B: free inlet, ducted outlet.

TDF630

Air Density: 1.2 kg/m³

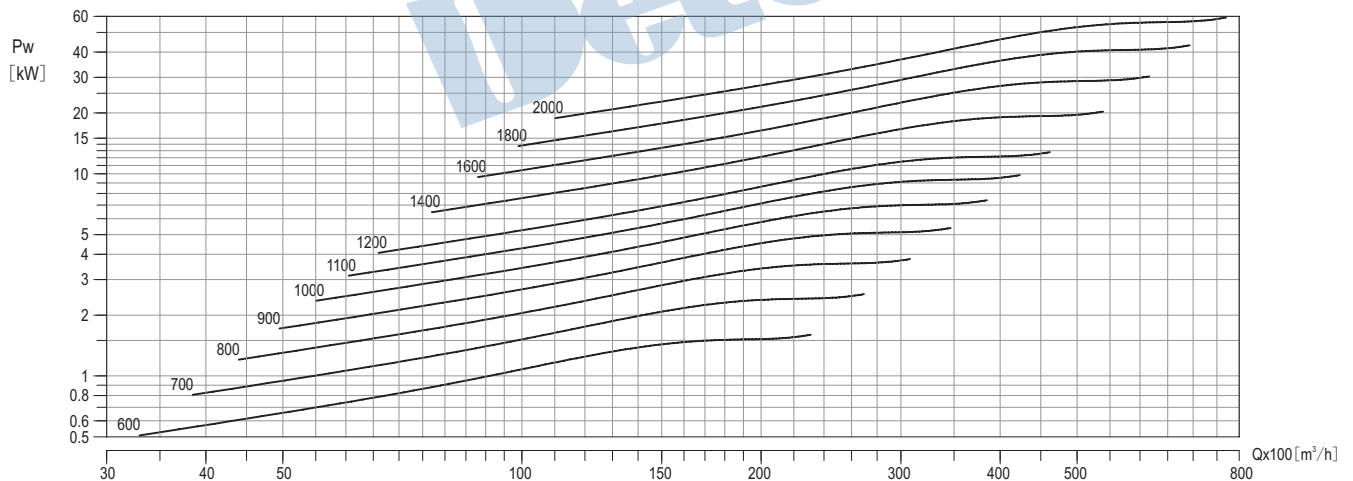
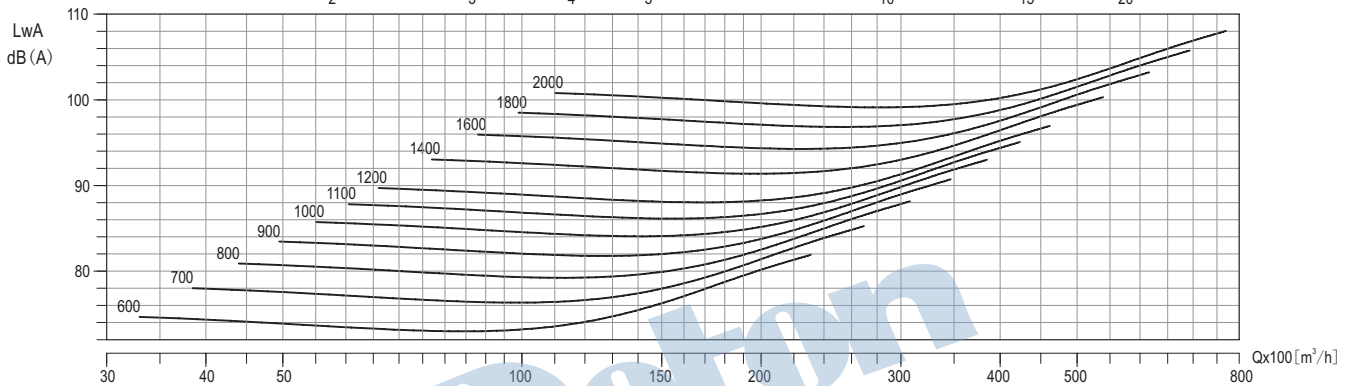
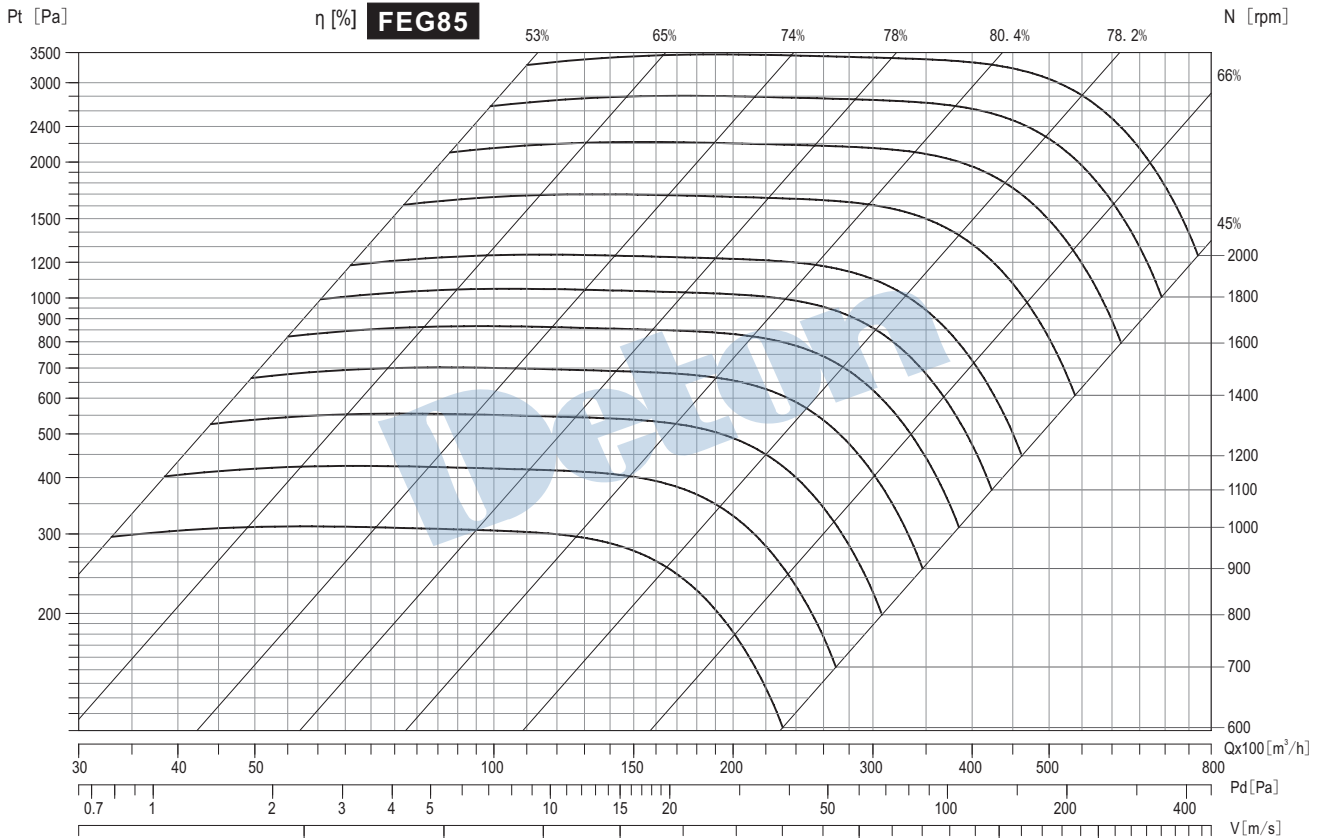


Performance certified is for installation type B-Free inlet, Ducted outlet. Performance ratings do not include the effects of appurtenances (accessories). Power rating kW does not include transmission losses. The A-weighted sound ratings shown have been calculated per AMCA International standard 301. Values shown are for inlet L_{wA} sound power levels for Installation type B: free inlet, ducted outlet.



TDF710

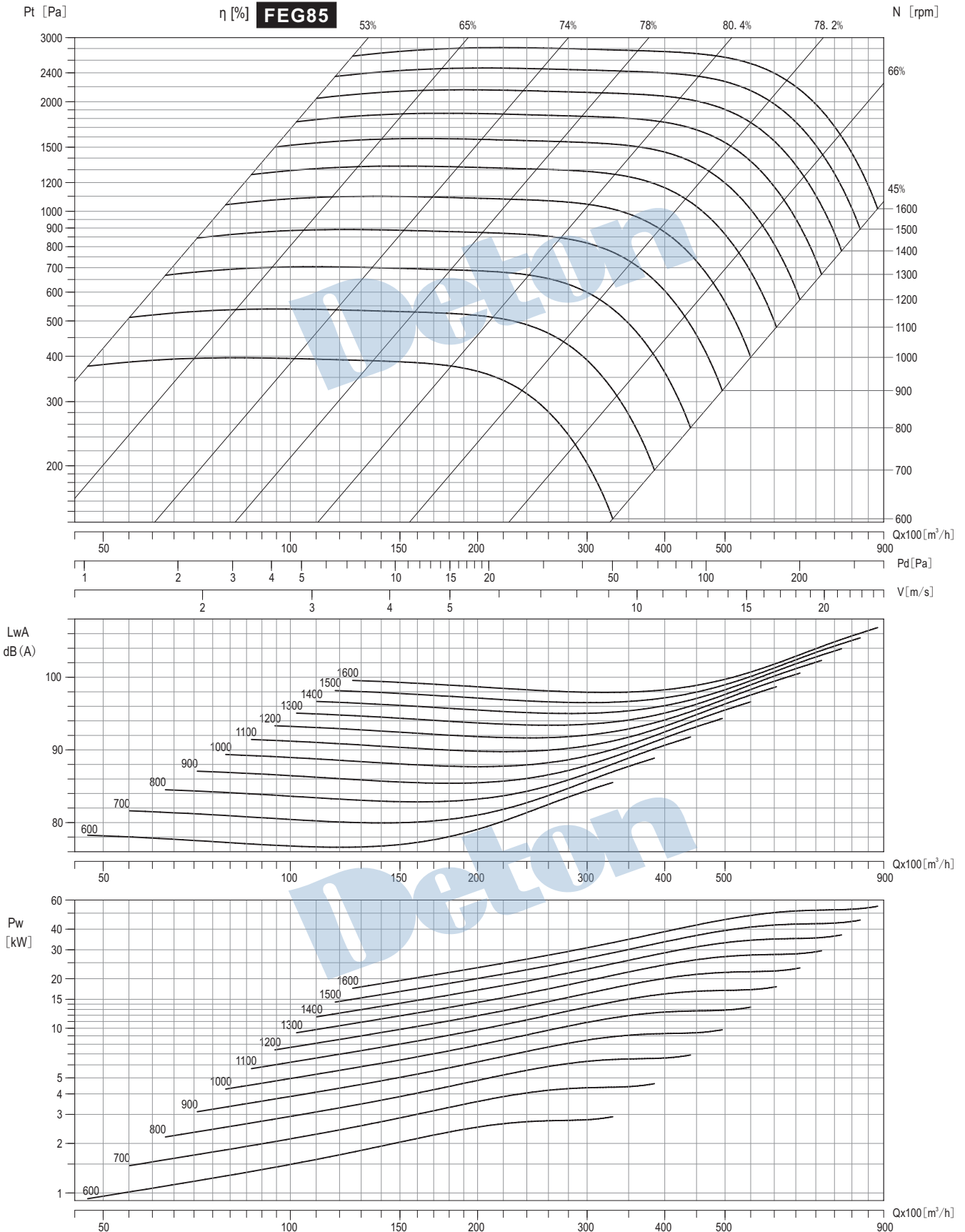
Air Density: 1.2 kg/m³



Performance certified is for installation type B-Free inlet, Ducted outlet. Performance ratings do not include the effects of appurtenances (accessories). Power rating kW does not include transmission losses. The A-weighted sound ratings shown have been calculated per AMCA International standard 301. Values shown are for inlet LwiA sound power levels for Installation type B: free inlet, ducted outlet.

TDF800

Air Density: 1.2 kg/m³

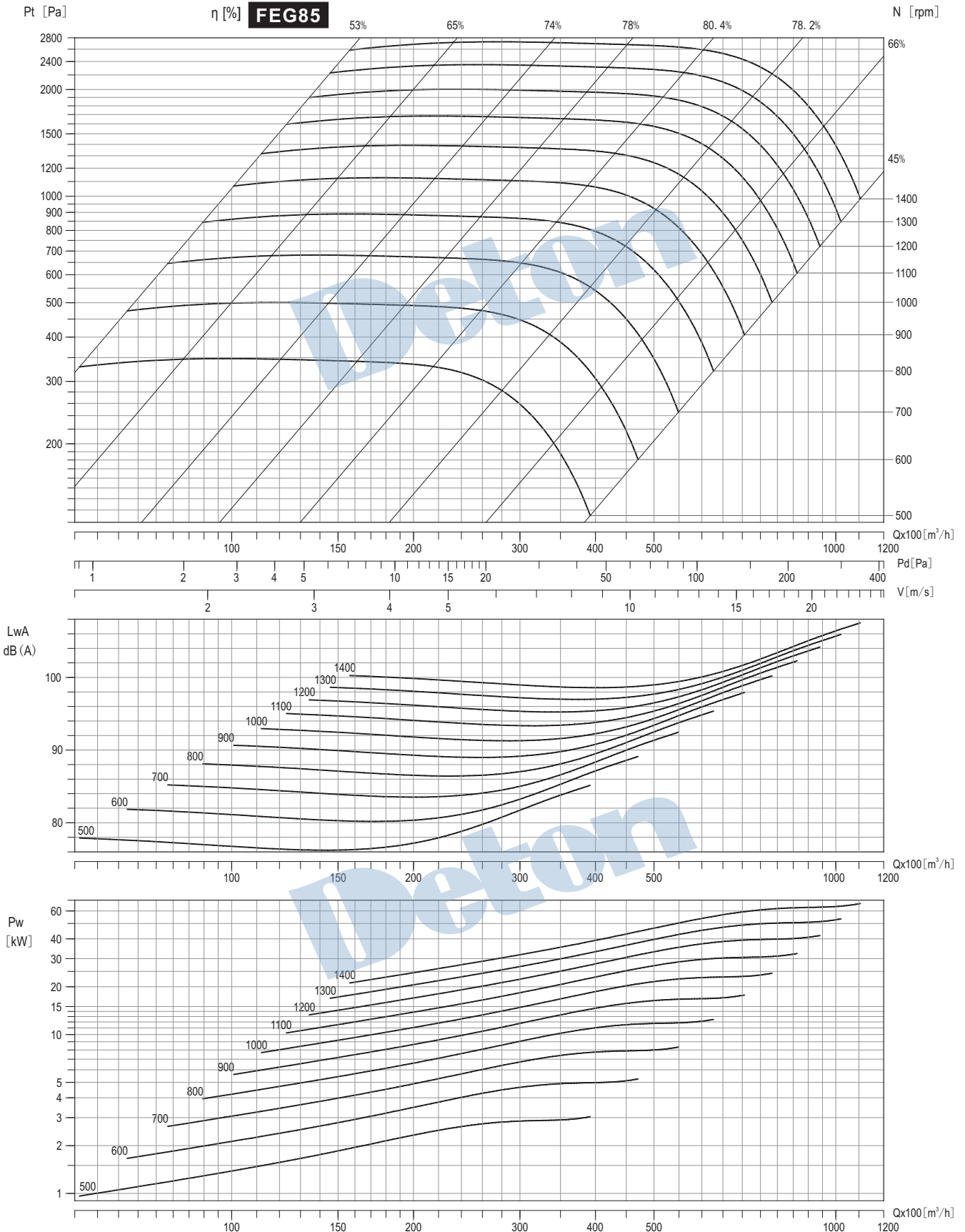


Performance certified is for installation type B-Free inlet, Ducted outlet. Performance ratings do not include the effects of appurtenances (accessories). Power rating kW does not include transmission losses. The A-weighted sound ratings shown have been calculated per AMCA International standard 301. Values shown are for inlet LwiA sound power levels for Installation type B: free inlet, ducted outlet.



TDF900

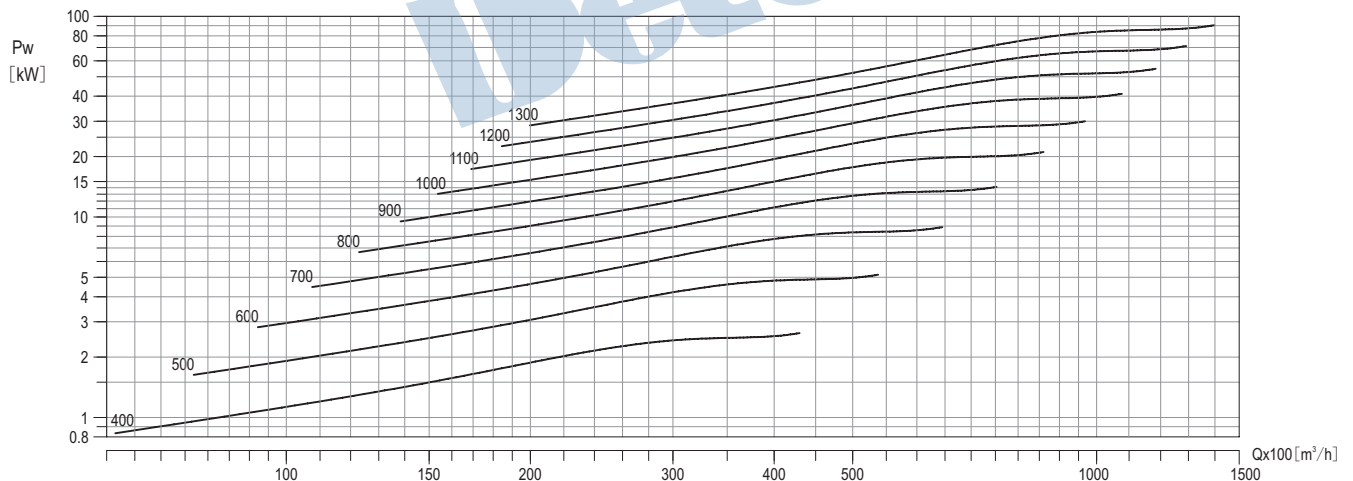
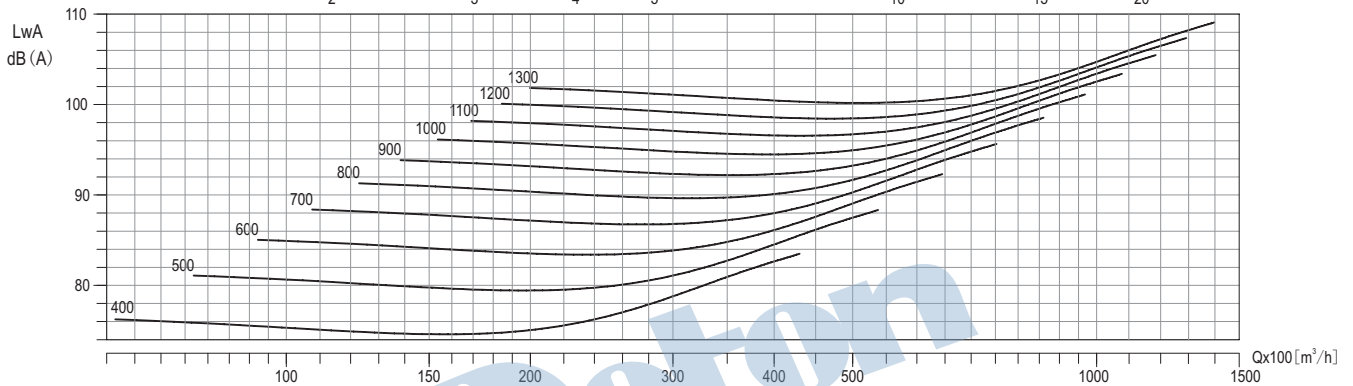
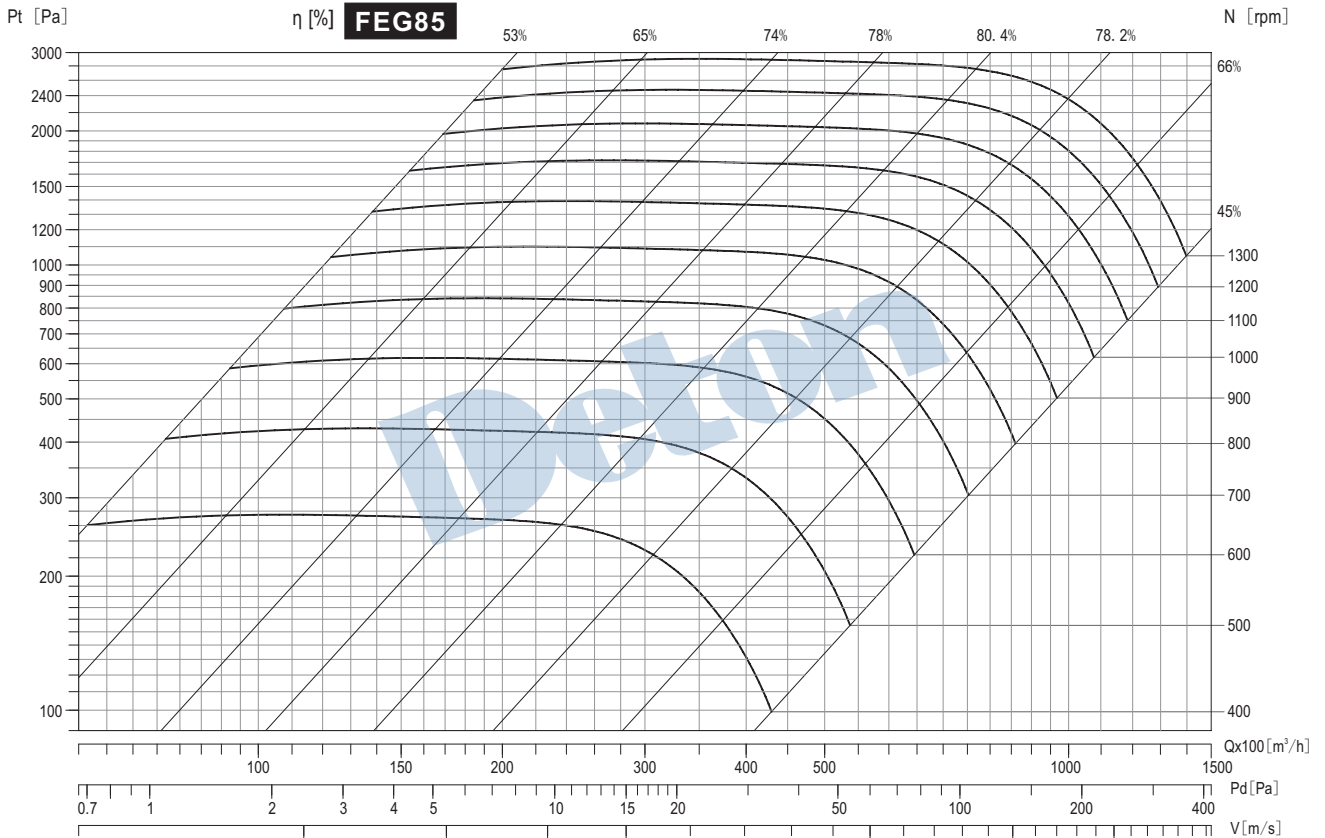
Air Density: 1.2 kg/m³



Performance certified is for installation type B-Free inlet, Ducted outlet. Performance ratings do not include the effects of appurtenances (accessories). Power rating kW does not include transmission losses. The A-weighted sound ratings shown have been calculated per AMCA International standard 301. Values shown are for inlet LwiA sound power levels for Installation type B: free inlet, ducted outlet.

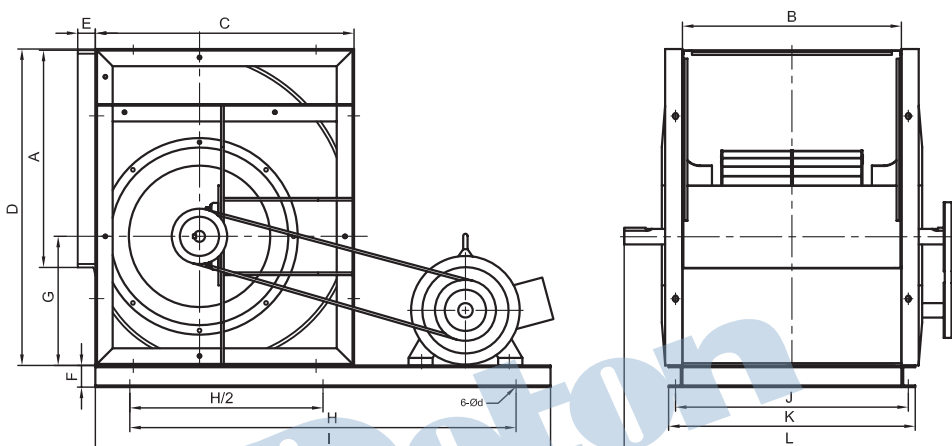
TDF1000

Air Density: 1.2 kg/m³



Performance certified is for installation type B-Free inlet, Ducted outlet. Performance ratings do not include the effects of appurtenances (accessories). Power rating kW does not include transmission losses. The A-weighted sound ratings shown have been calculated per AMCA International standard 301. Values shown are for inlet LwiA sound power levels for Installation type B: free inlet, ducted outlet.

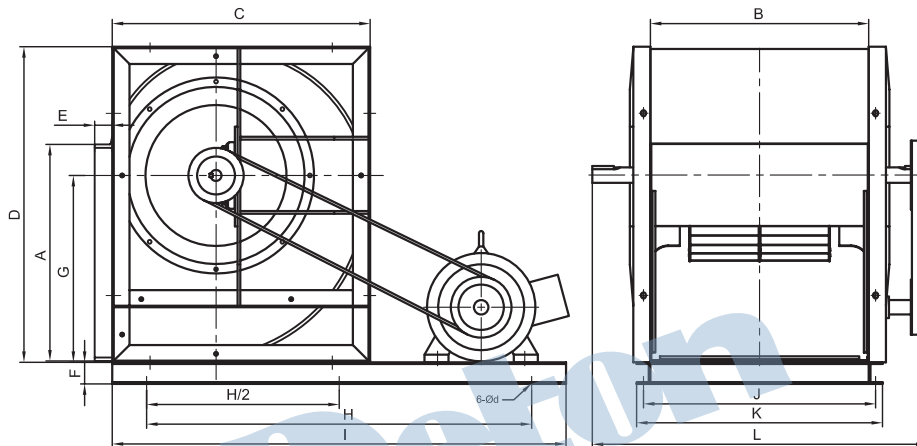
TDFT外形尺寸(180°)



单位: mm

机号	电机机座	A	B	C	D	E	F	G	H	I	J	K	L (max.)	d
TDFT-250	180°													
	71、80、90								600	700				
	100	315	319	383	460	35	50	187	650	750	340	380	535	11
TDFT-280	112、132								700	800				
	71、80、90								650	750				
	100	355	359	432	518	34	50	212	700	800	380	420	587	11
TDFT-315	112、132								750	850				
	71、80、90								700	800				
	100	400	404	480	578	38	50	234	750	850	430	470	632	13
TDFT-355	112、132								800	900				
	80、90								800	900				
	100								850	950				
	112、132								900	1000				
	160	450	454	548	654	30	50	264	950	1050	490	530	720	13
TDFT-400	80								750	950				
	90、100								800	1000				
	112								850	1050				
	132								900	1100				
	160、180	504	504	612	736	38	63	299	950	1150	540	580	770	13
TDFT-450	90								850	1050				
	100、112								900	1100				
	132								950	1150				
	160、180								1000	1200				
	200	562	564	681	827	45	63	336	1050	1250	600	640	874	13
TDFT-500	90								900	1100				
	100								950	1150				
	112、132								1000	1200				
	160								1050	1250				
	180	632	635	750	918	50	63	375	1100	1300	675	715	973	13
TDFT-560	200								1150	1350				
	90								1000	1200				
	100、112								1050	1250				
	132								1100	1300				
	160	712	715	844	1030	48	63	420	1150	1350	760	800	1081	13
TDFT-630	180、200								1200	1400				
	112								1150	1350				
	132								1200	1400				
	160								1250	1450				
	180	800	805	945	1157	67	63	470	1300	1500	860	900	1171	13
TDFT-710	200								1350	1550				
	225								1400	1600				
	112								1300	1500				
	132								1350	1550				
	160、180	902	905	1057	1302	77	80	528	1400	1600	960	1000	1287	17
TDFT-800	200								1450	1650				
	225								1500	1700				
	132、160								1550	1750				
	180								1600	1800				
	200	1003	1007	1180	1468	92	80	597	1650	1850	1060	1100	1389	17
TDFT-900	225								1650	1850				
	132								1650	1850				
	160、180								1700	1900				
	200								1750	1950				
	225	1120	1127	1319	1648	108	80	669	1800	2000	1195	1235	1589	17
TDFT-1000	132、160、180								1800	2000				
	200								1850	2050				
	225								1900	2100				
	250								1950	2150				
	225	1250	1257	1450	1810	109	80	733	1950	2150	1325	1365	1721	17

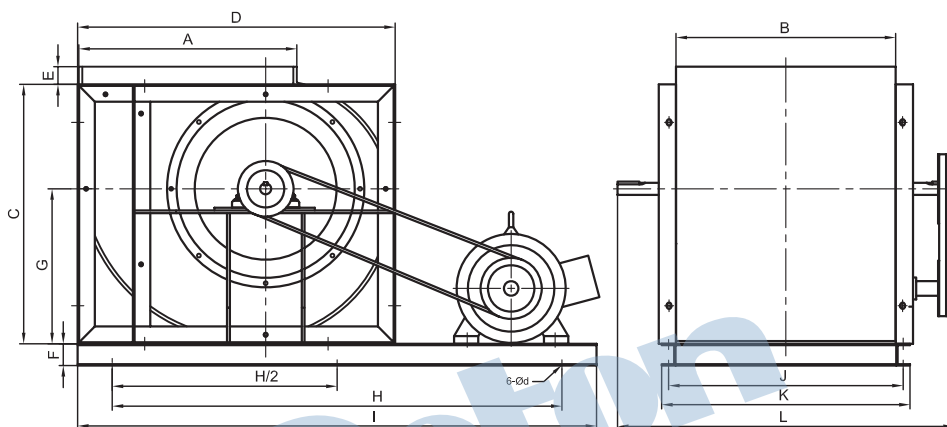
TDFT外形尺寸(0°)



单位: mm

机号	电机机座	A	B	C	D	E	F	G	H	I	J	K	L	d
TDFT-250	0°													
	71、80、90								600	700				
	100	315	319	383	460	35	50	273	650	750	340	380	535	11
TDFT-280	112、132								700	800				
	71、80、90	355	359	432	518	34	50	306	650	750	380	420	587	11
	100								700	800				
TDFT-315	112、132								750	850				
	71、80、90	400	404	480	578	38	50	344	700	800	430	470	632	13
	100								750	850				
TDFT-355	112、132								800	900				
	80、90	450	454	548	654	30	50	390	800	900	490	530	720	13
	100								850	950				
TDFT-400	112、132								900	1000				
	160	504	504	612	736	38	63	437	950	1050	540	580	770	13
	80								800	900				
TDFT-450	90、100								800	1000				
	112	504	504	612	736	38	63	437	850	1050	540	580	770	13
	132								900	1100				
TDFT-500	160、180								950	1150				
	90	562	564	681	827	45	63	491	850	1050	600	640	874	13
	100、112								900	1100				
TDFT-560	132								1000	1200				
	160	632	635	750	918	50	63	543	950	1250	675	715	973	13
	180								1100	1300				
TDFT-630	200								1150	1350				
	90	712	715	844	1030	48	63	610	1000	1200	760	800	1081	13
	100、112								1050	1250				
TDFT-710	132								1100	1300				
	160	800	805	945	1157	67	63	687	1150	1350	760	800	1081	13
	180								1200	1400				
TDFT-800	200								1250	1450				
	225	902	905	1057	1302	77	80	774	1300	1500	860	900	1171	13
	112								1350	1550				
TDFT-900	132、160								1400	1600				
	180	1003	1007	1180	1468	92	80	871	1450	1650	960	1000	1287	17
	200								1500	1700				
TDFT-1000	225								1550	1750				
	132	1120	1127	1319	1648	108	80	979	1600	1800	1060	1100	1389	17
	160、180								1650	1850				
TDFT-1000	200								1700	1900				
	225	1250	1257	1450	1810	109	80	1077	1750	1950	1195	1235	1589	17
	250								1800	2000				
TDFT-1000	132、160、180								1850	2050				
	200								1900	2100	1325	1365	1721	17
	225								1950	2150				

TDFT外形尺寸(90°)



单位: mm

机号	电机机座	A	B	C	D	E	F	G	H	I	J	K	L (max.)	d
TDFT-250	71、80、90								700	800				
	100	315	319	383	460	35	50	224	750	850	340	380	535	11
	112、132								800	900				
TDFT-280	71、80、90								750	850				
	100	355	359	432	518	34	50	252	800	900	380	420	587	11
	112、132								850	950				
TDFT-315	71、80、90								800	900				
	100	400	404	480	578	38	50	282	850	950	430	470	632	13
	112、132								900	1000				
TDFT-355	80、90								900	1000				
	100	450	454	548	654	30	50	318	950	1050	490	530	720	13
	112、132								1000	1100				
	160								1050	1150				
	80								900	1100				
TDFT-400	90、100								950	1150				
	112	504	504	612	736	38	63	360	1000	1200	540	580	770	13
	132								1050	1250				
	160、180								1100	1300				
	90								1000	1200				
TDFT-450	100、112								1050	1250				
	132	562	564	681	827	45	63	404	1100	1300	600	640	874	13
	160、180								1150	1350				
	200								1200	1400				
	90								1100	1300				
TDFT-500	100								1150	1350				
	112、132	632	635	750	918	50	63	448	1200	1400	675	715	973	13
	160								1250	1450				
	180								1300	1500				
	200								1350	1550				
	90								1200	1400				
TDFT-560	100、112								1250	1450				
	132	712	715	844	1030	48	63	502	1300	1500	760	800	1081	13
	160								1350	1550				
	180、200								1400	1600				
	112								1400	1600				
TDFT-630	132								1450	1650				
	160	800	805	945	1157	67	63	564	1500	1700	860	900	1171	13
	180								1550	1750				
	200								1600	1800				
	225								1650	1850				
	112								1550	1750				
TDFT-710	132								1600	1800				
	160、180	902	905	1057	1302	77	80	636	1650	1850	960	1000	1287	17
	200								1700	1900				
	225								1750	1950				
	132、160								1800	2000				
TDFT-800	180								1850	2050				
	200	1003	1007	1180	1468	92	80	714	1900	2100	1060	1100	1389	17
	225								1950	2150				
	132								2000	2200				
TDFT-900	160、180								2050	2250				
	200	1120	1127	1319	1648	108	80	804	2100	2300	1195	1235	1589	17
	225								2150	2350				
	132								2000	2200				
TDFT-1000	132、160、180								2150	2350				
	200								2200	2400				
	225	1250	1257	1450	1810	109	80	884	2250	2450	1325	1365	1721	17
	250								2300	2500				

电机机座号对照表

功率 极数	0.37kW	0.55kW	0.75kW	1.1kW	1.5kW	2.2kW	3kW	4kW	5.5kW	7.5kW	11kW	15kW	18.5kW	22kW	30kW	37kW
2极			80	80	90S	90L	100L	112M	132S	132S	160M	160M	160L	180M	200L	200L
4极	71	80	80	90S	90L	100L	100L	112M	132S	132M	160M	160L	180M	180L	200L	225S
6极	80	80	90S	90L	100L	112M	132S	132M	132M	160M	160L	180L	200L	200L	225M	250M
8极						132S	132M	160M	160M	160L	180L	200L	225S	225M	250M	280S

